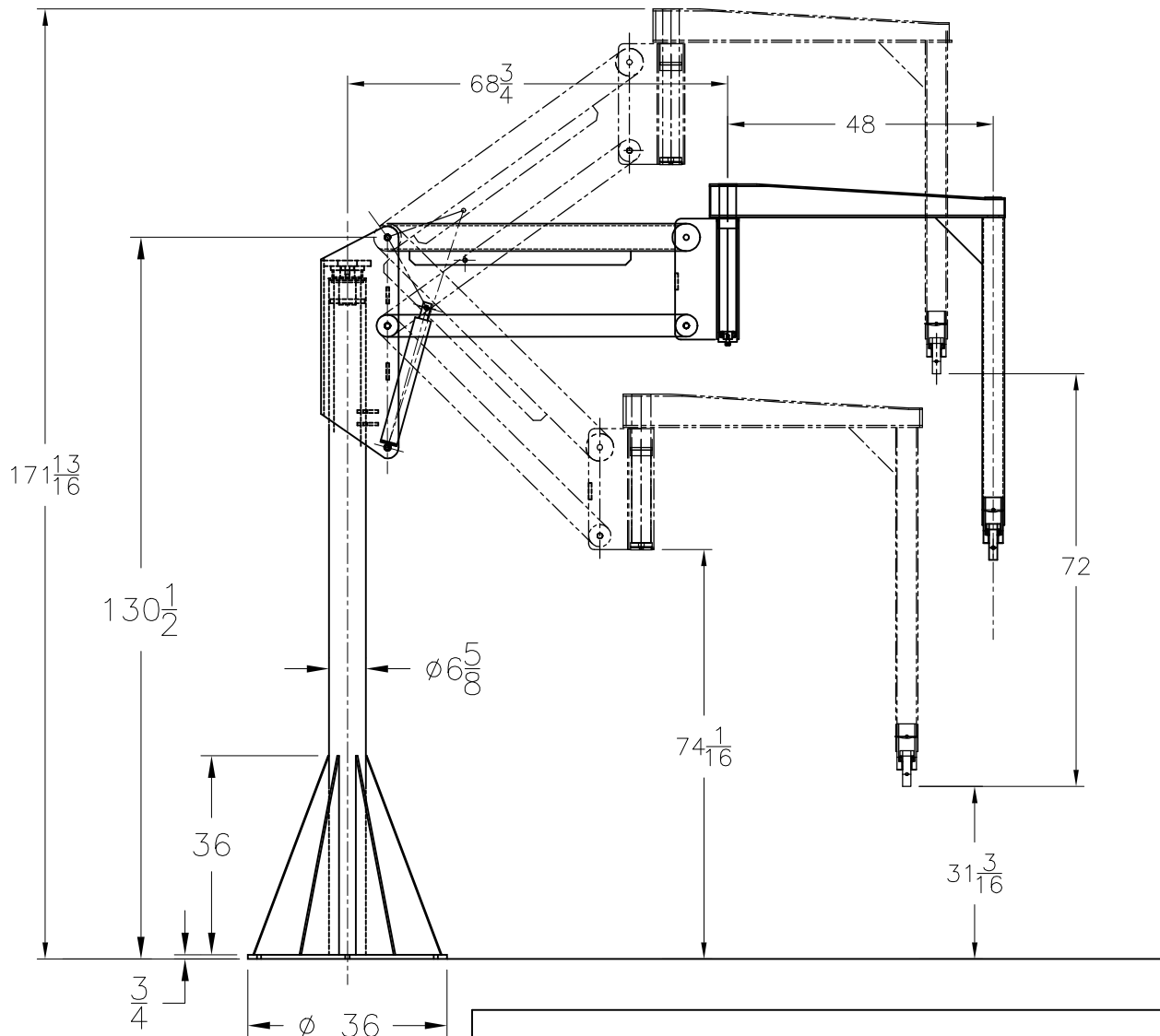
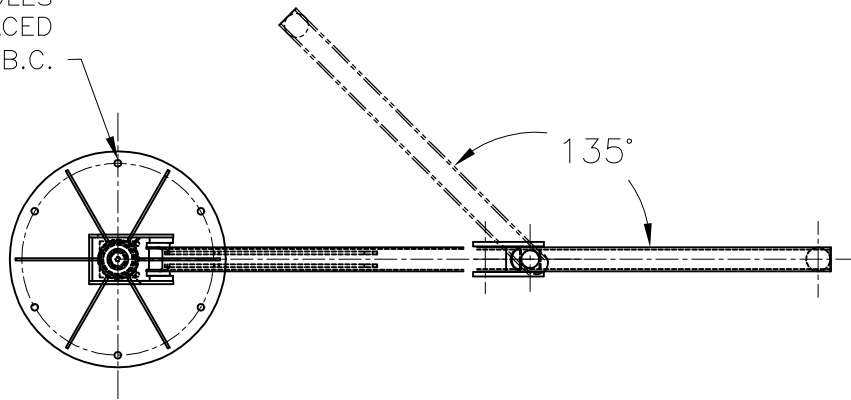


(6) ϕ 1 1/8" HOLES
EQUALLY SPACED
ON 32" B.C.



Air Technical Industries
7501 CLOVER AVE. - MENTOR, OHIO

TITLE ARTICULARM LAYOUT

AA-500/1000

DWG. Type LAYOUT

MATERIAL

DRAWN VN

DATE 1/30/2007

SCALE N.T.S.

REVISION -