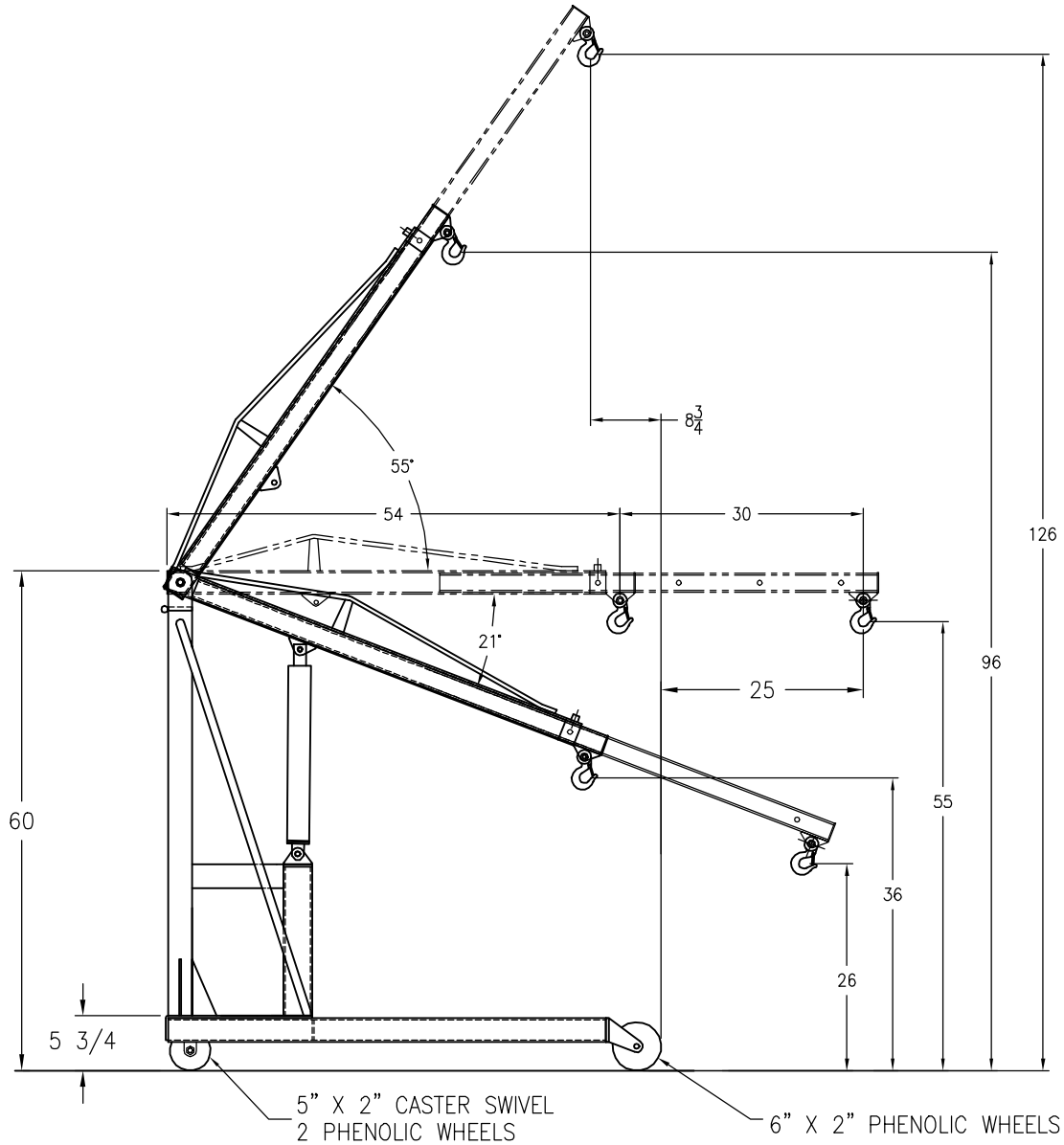
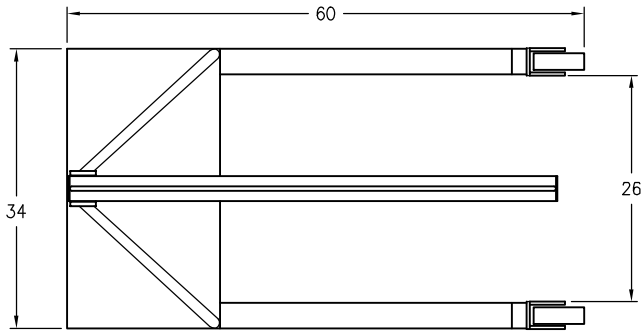


REV	DATE	ENG	DESCRIPTION
-----	------	-----	-------------



- NOTES:
- 2000# CAPACITY WITH BOOM RETRACTED
  - 500# CAPACITY WITH BOOM EXTENDED  
(WITH APPROPRIATE COUNTERWEIGHT-NOT INCLUDED)
  - MANUALLY OPERATED BY HYDRAULIC HAND PUMP

**Air Technical Industries**  
7501 CLOVER AVE. - MENTOR, OHIO

TITLE ECONO-MASTER FLOOR CRANE

EM-2000

DWG. Type APPROVAL MATERIAL

DRAWN RHC	DATE 06/04/14	SCALE N.T.S.	REVISION -
-----------	---------------	--------------	------------