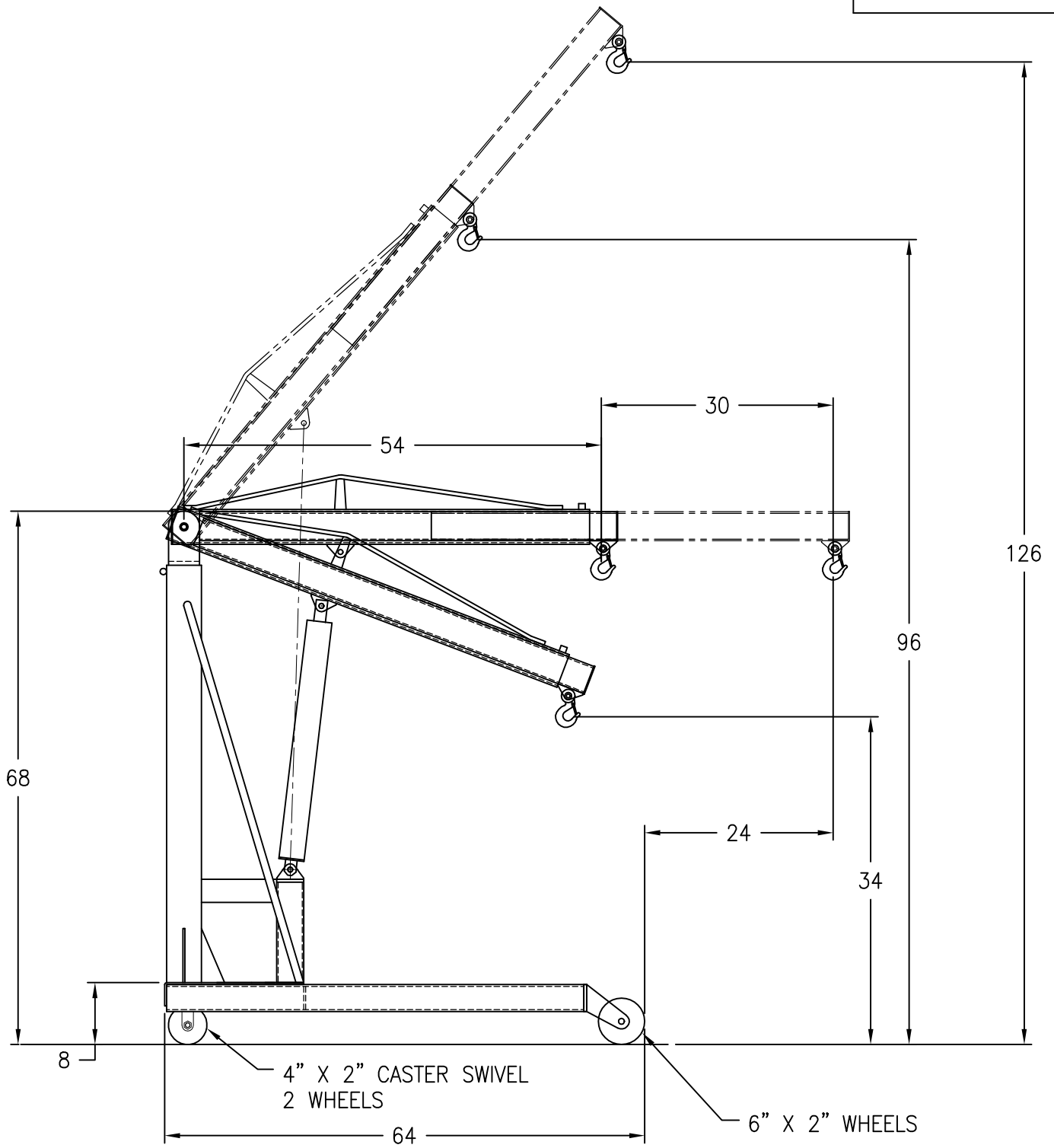


REV	DATE	ENG	DESCRIPTION
-----	------	-----	-------------



*Air Technical Industries*

7501 CLOVER AVE. - MENTOR, OHIO

TITLE

EM-6000

DWG. Type LAYOUT

MATERIAL