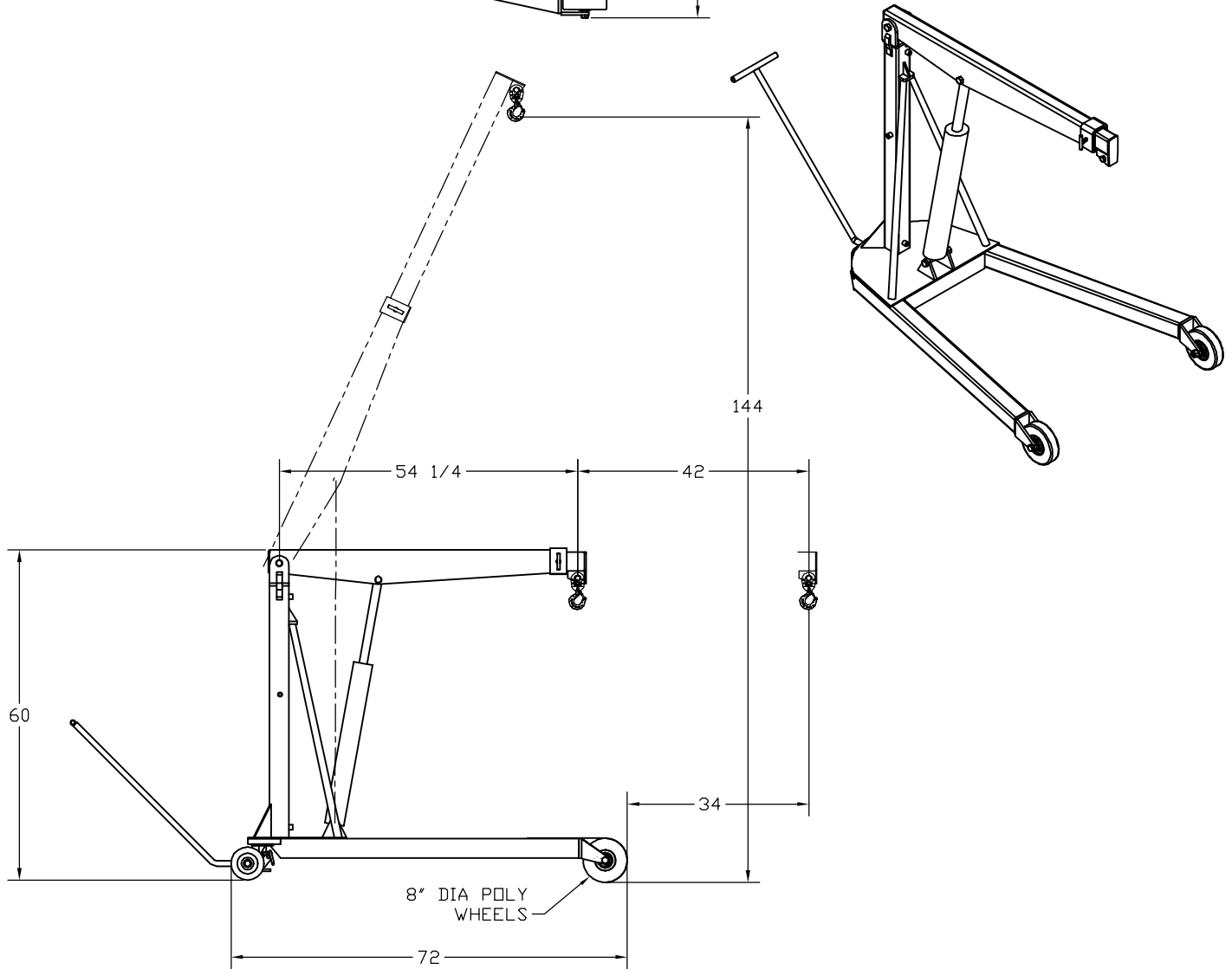
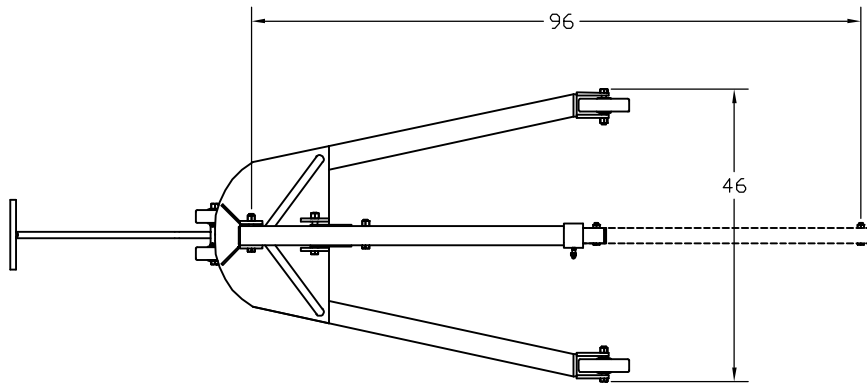


REV	DATE	ENG	DESCRIPTION
-----	------	-----	-------------



8" DIA POLY WHEELS

CAPACITY:
 HM-2000
 BOOM RETRACTED: 2000 LBS
 BOOM EXTENDED: 1000 LBS

HM-4000
 BOOM RETRACTED: 4000 LBS
 BOOM EXTENDED: 2000 LBS

NOTE: COUNTERWEIGHT (NOT INCLUDED) IS
 REQUIRED TO ACHIEVE MAXIMUM EXTENDED
 BOOM CAPACITY

Air Technical Industries
 7501 CLOVER AVE. - MENTOR, OHIO

TITLE HUSKY-MASTER FLOOR CRANE

HM-2000/4000

DWG. Type LAYOUT

MATERIAL

DRAWN VN

DATE 7/28/2004

SCALE N.T.S.

REVISION

-