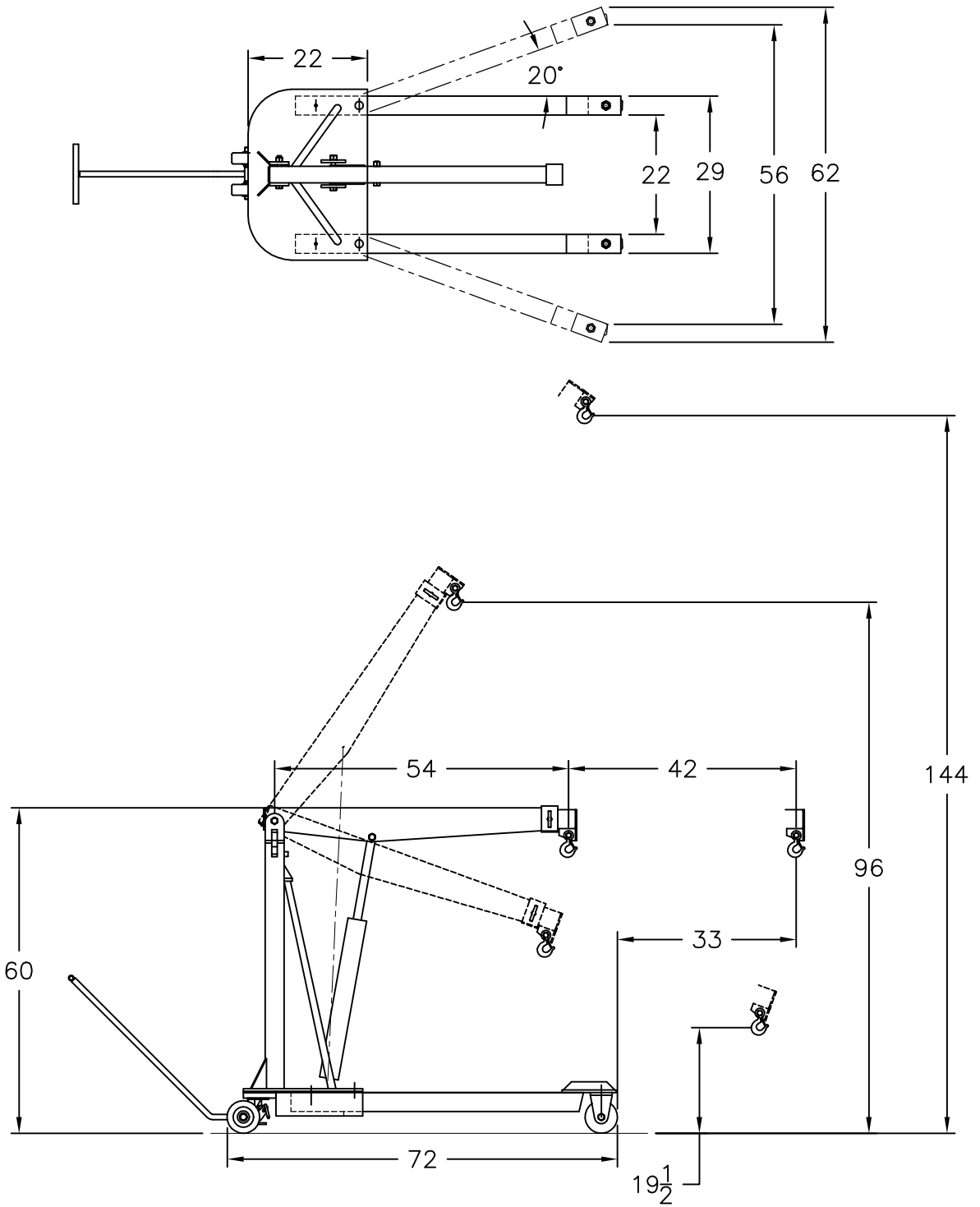


REV	DATE	ENG	DESCRIPTION
-----	------	-----	-------------



CAPACITY:  
 - BOOM RETRACTED: 4000 POUNDS  
 - BOOM EXTENDED: 2000 POUNDS  
 (WITH APPROPRIATE COUNTERWEIGHT)

*Air Technical Industries*  
 7501 CLOVER AVE. - MENTOR, OHIO

TITLE HUSKY-MASTER ADJUSTABLE LEGS			
HM-4000A			
DWG. Type APPROVAL		MATERIAL	
DRAWN VN	DATE 9/7/2011	SCALE N.T.S.	REVISION -