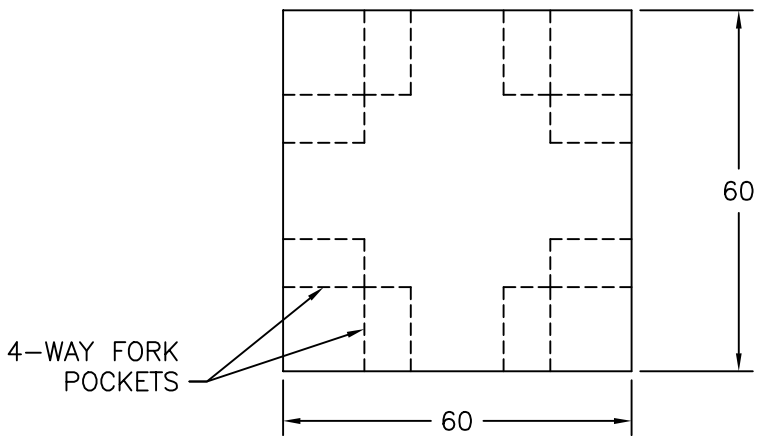
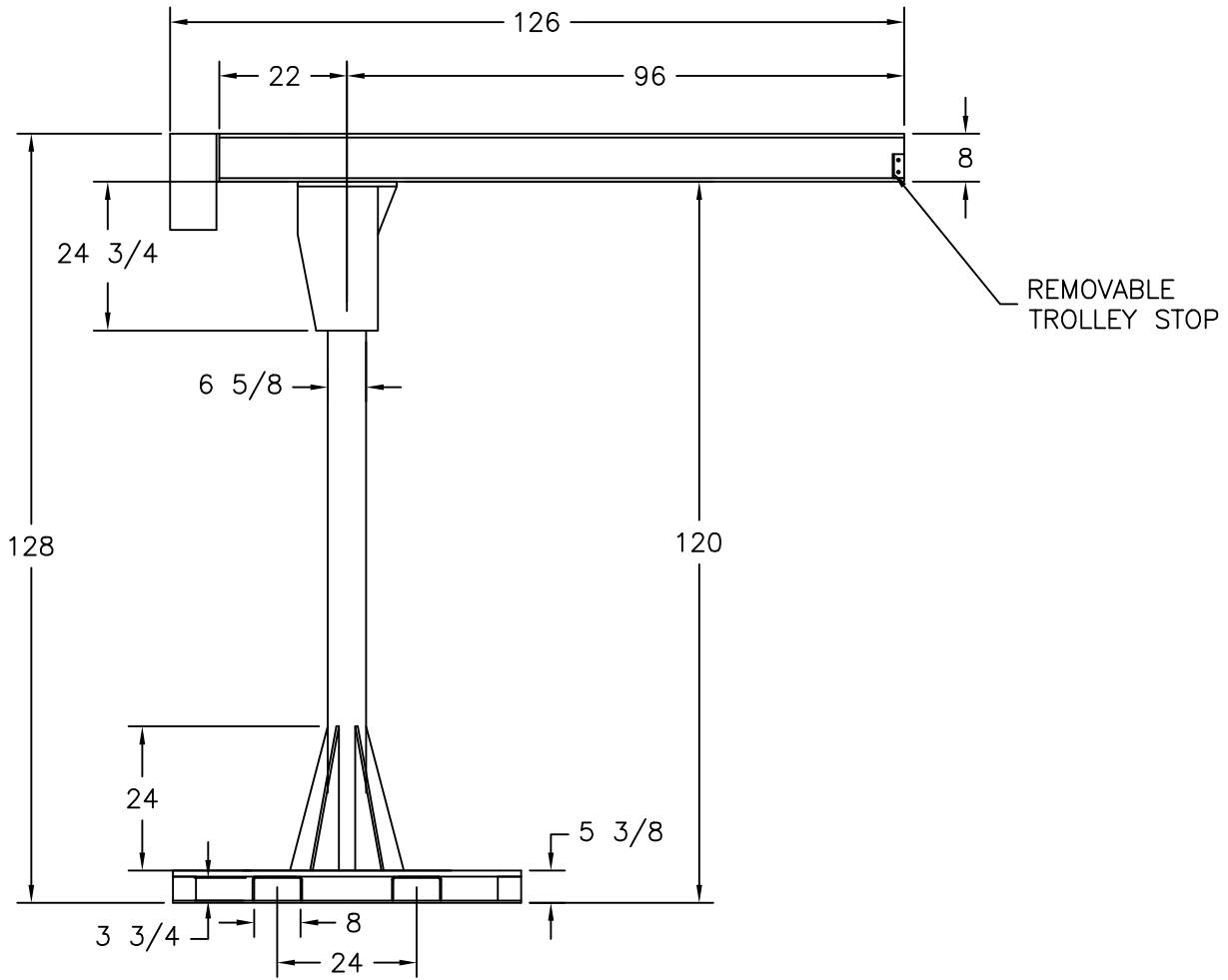


REV	DATE	ENG	DESCRIPTION
-----	------	-----	-------------



NOTES:  
 - CAPACITY: 1000 POUNDS  
 (LESS TROLLEY & HOIST,  
 NOT INCLUDED)  
 - 125% SAFETY FACTOR  
 FOR STABILITY

<i>Air Technical Industries</i> 7501 CLOVER AVE. - MENTOR, OHIO	
TITLE	PORTABLE JIB CRANE
JCPRT-1810	
DWG. Type	LAYOUT
MATERIAL	