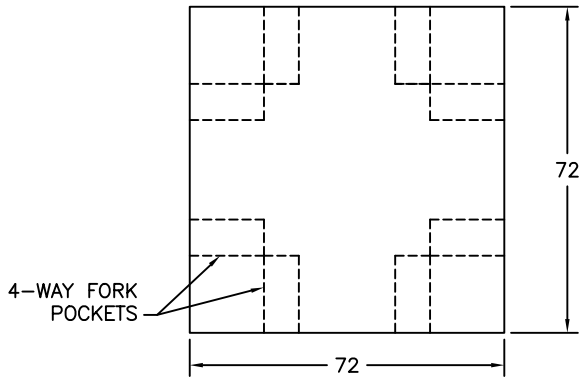
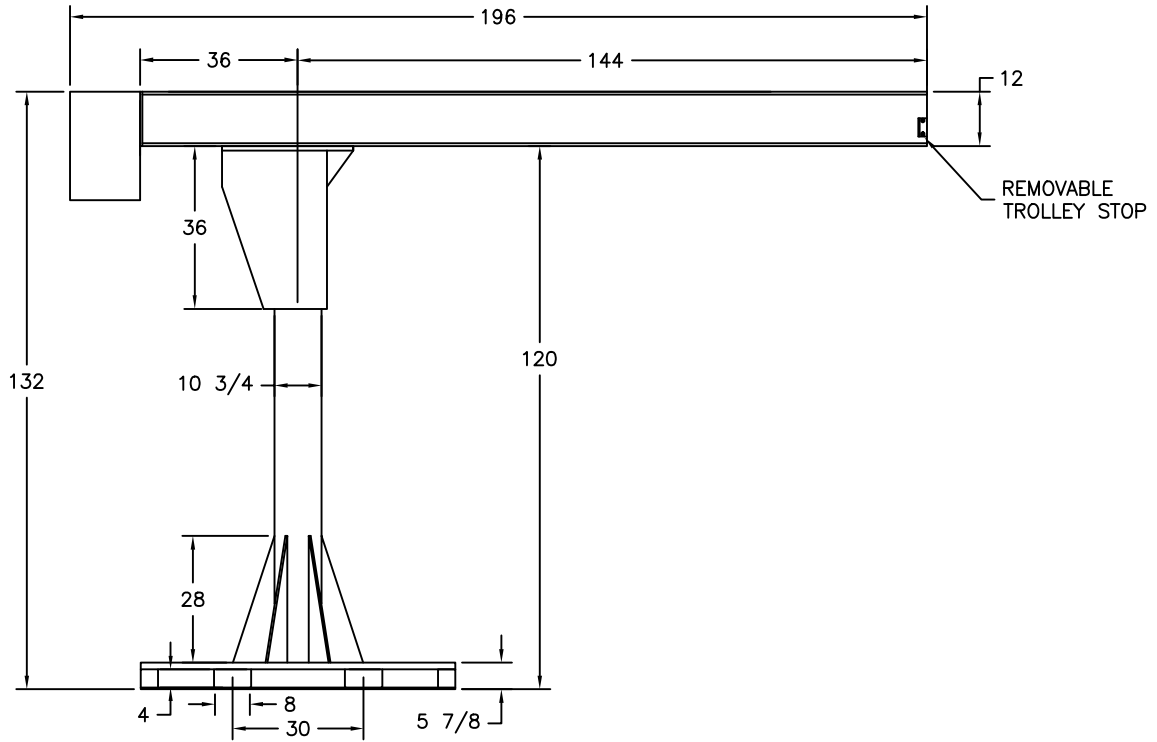


REV	DATE	ENG	DESCRIPTION
-----	------	-----	-------------



NOTES:
 - CAPACITY: 2000 POUNDS
 (LESS TROLLEY & HOIST)
 - 125% SAFETY FACTOR
 FOR STABILITY

Air Technical Industries			
7501 CLOVER AVE. - MENTOR, OHIO			
TITLE PORTABLE JIB CRANE			
JCPRT-21210			
DWG. Type LAYOUT		MATERIAL	
DRAWN VN	DATE 5/11/2015	SCALE N.T.S.	REVISION -