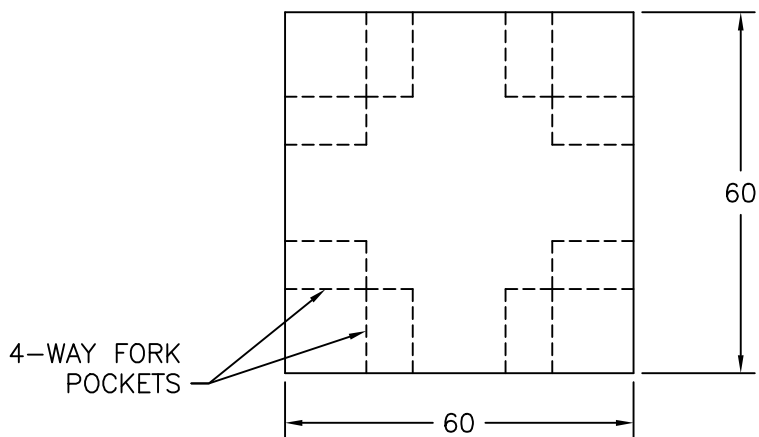
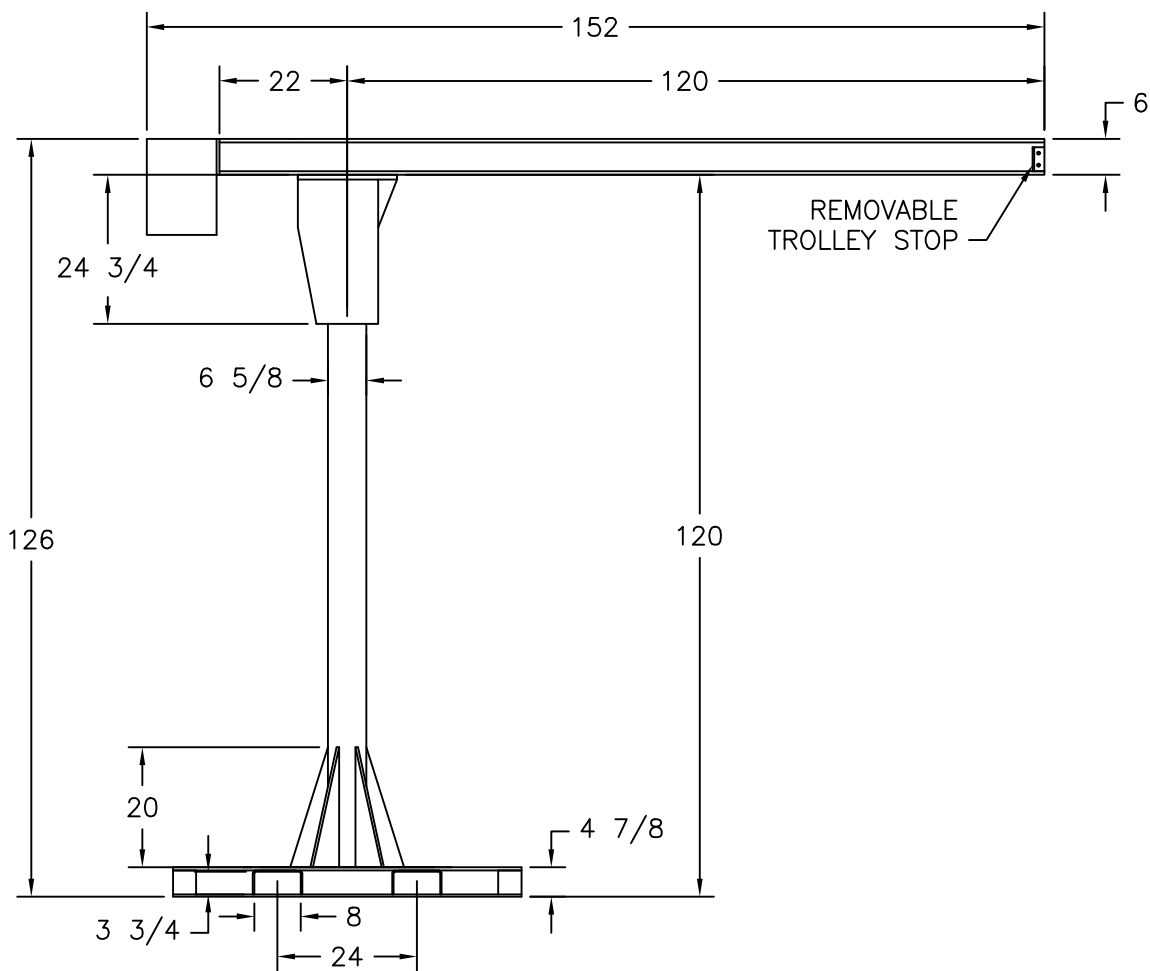


REV

DATE

ENG

DESCRIPTION



NOTES:

- CAPACITY: 500 POUNDS (LESS TROLLEY & HOIST, NOT INCLUDED)
- 125% SAFETY FACTOR FOR STABILITY

*Air Technical Industries*

7501 CLOVER AVE. - MENTOR, OHIO

TITLE PORTABLE JIB CRANE

JCPRT-51010

DWG. Type LAYOUT

MATERIAL

DRAWN VN

DATE 9/8/2014

SCALE N.T.S.

REVISION -