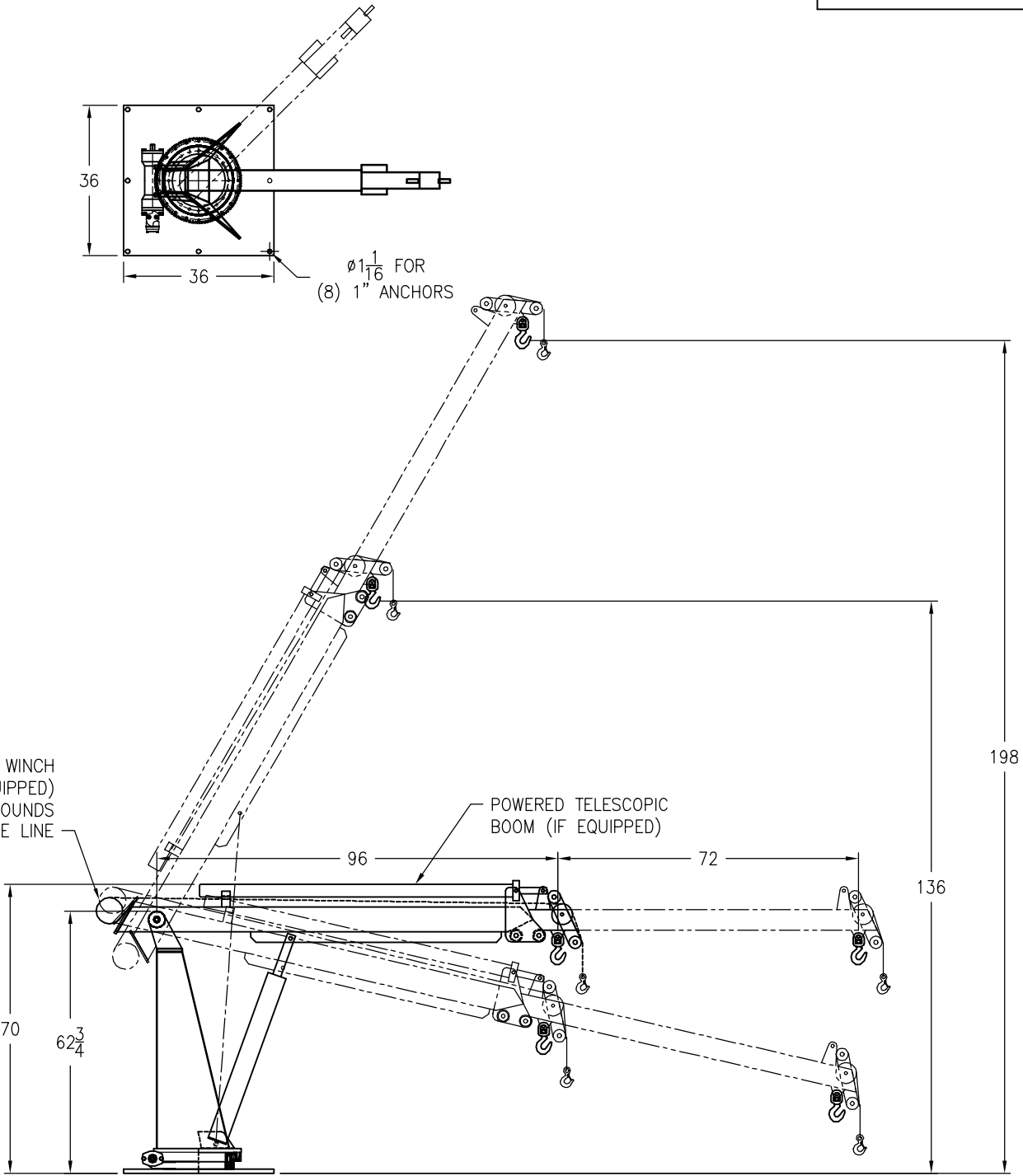


REV	DATE	ENG	DESCRIPTION
-----	------	-----	-------------



NOTES:
 - CAPACITY:
 BOOM RETRACTED: 6000 POUNDS
 BOOM EXTENDED: 3000 POUNDS

Air Technical Industries
 7501 CLOVER AVE. - MENTOR, OHIO

TITLE			
PORT-O-GIANT BASE MOUNT			
PG-6000BP			
DWG. Type		MATERIAL	
LAYOUT			
DRAWN	DATE	SCALE	REVISION
VN	10/25/2017	N.T.S.	-