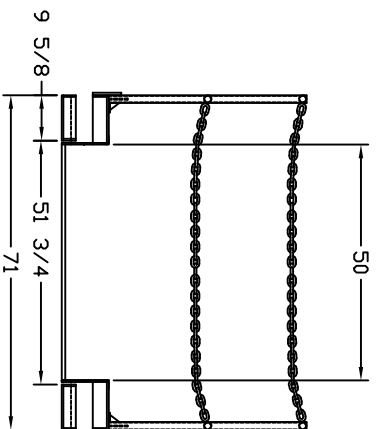
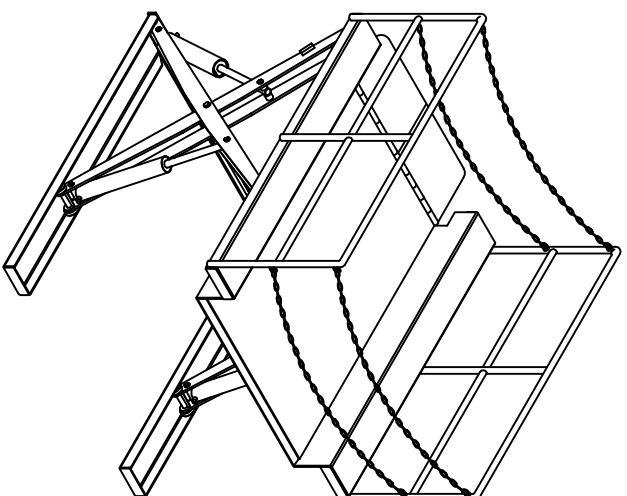
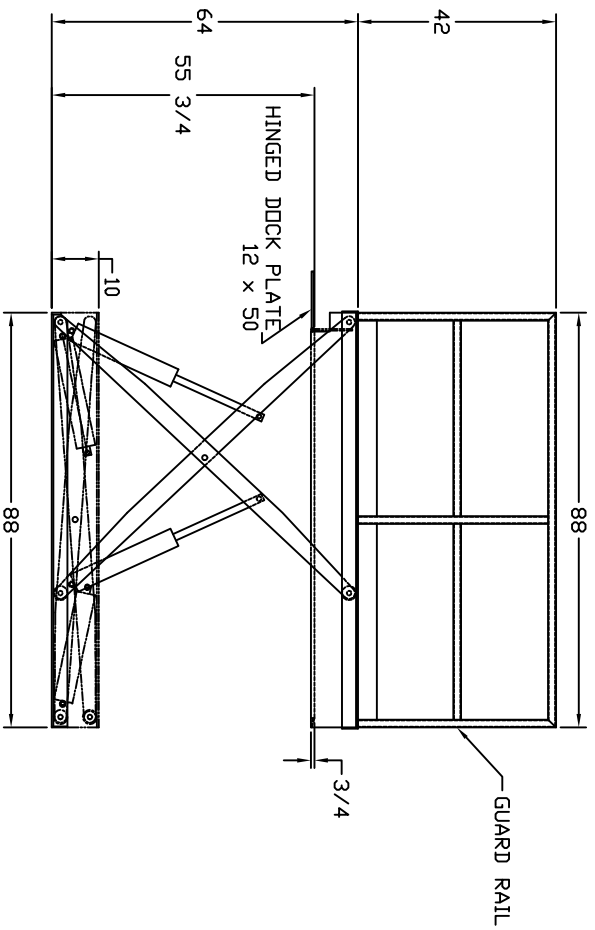
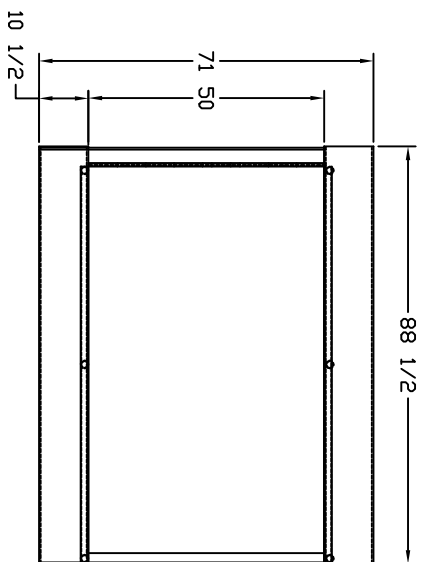


APPROVAL



REV	DATE	ENG	DESCRIPTION

<p><i>Air Technical Industries</i> 7501 CLOVER AVE. - MENTOR, OHIO</p>	
TITLE	ZDK-45084-E
DWG. Type	APPROVAL
MATERIAL	ZERO-LOW DOCK LIFT
DRAWN	RSM
DATE	10/05/01
SCALE	N.T.S.
REVISION	-