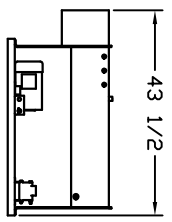
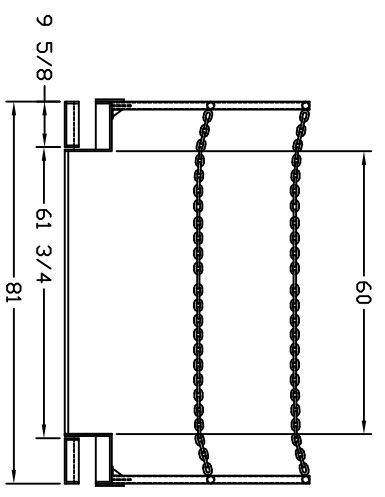
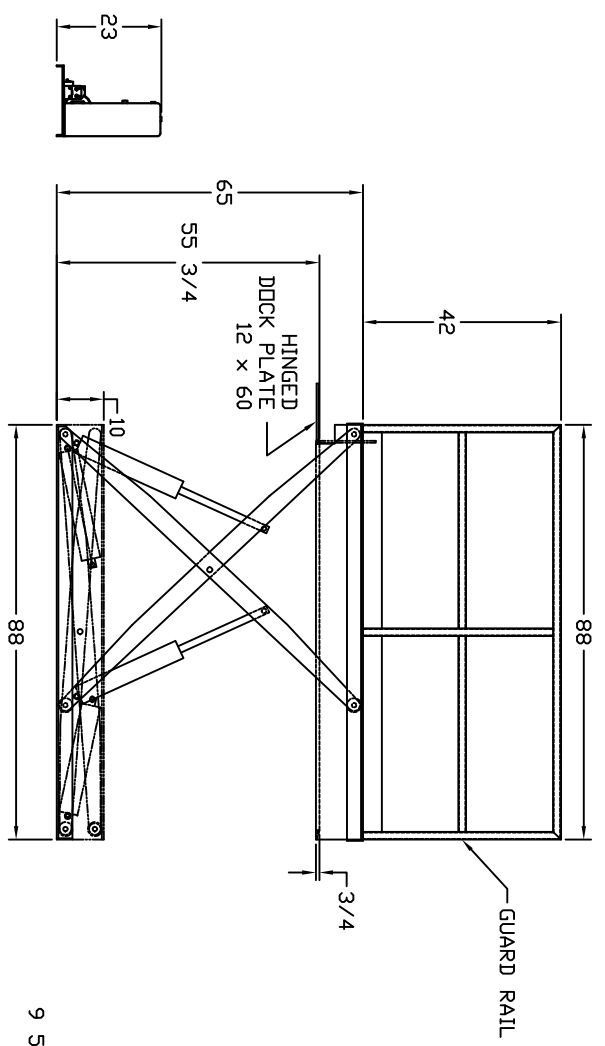
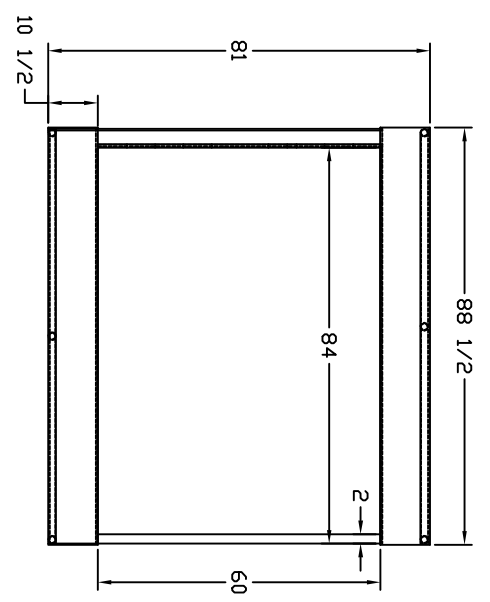
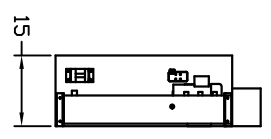


REV	DATE	ENG	DESCRIPTION
-----	------	-----	-------------



<i>Air Technical Industries</i>			
7501 CLOVER AVE. - MENTOR, OHIO			
TITLE	ZDK46084E		
DWG. Type	LAYOUT	MATERIAL	
ZERO-LOW DOCK LIFT			
DRAWN	LH	DATE	6/14/12
SCALE	N.T.S.		REVISION
			-