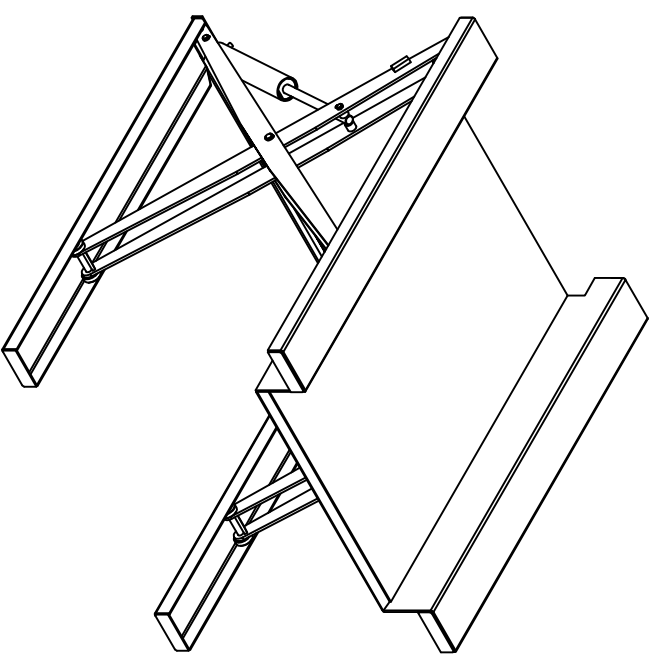
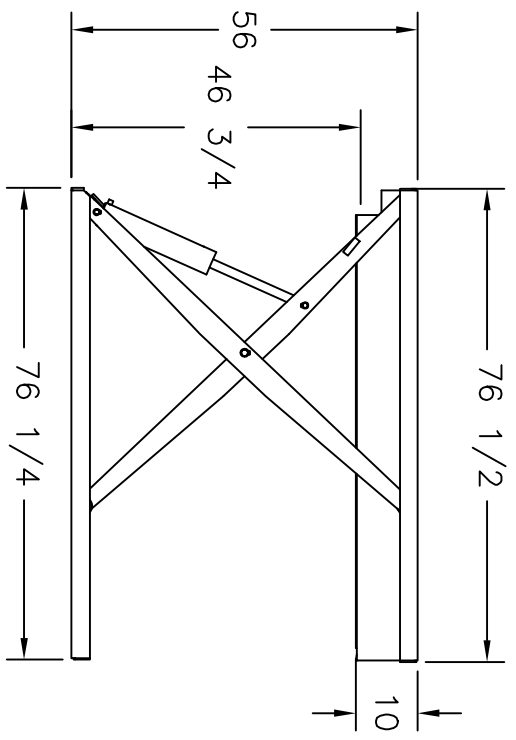
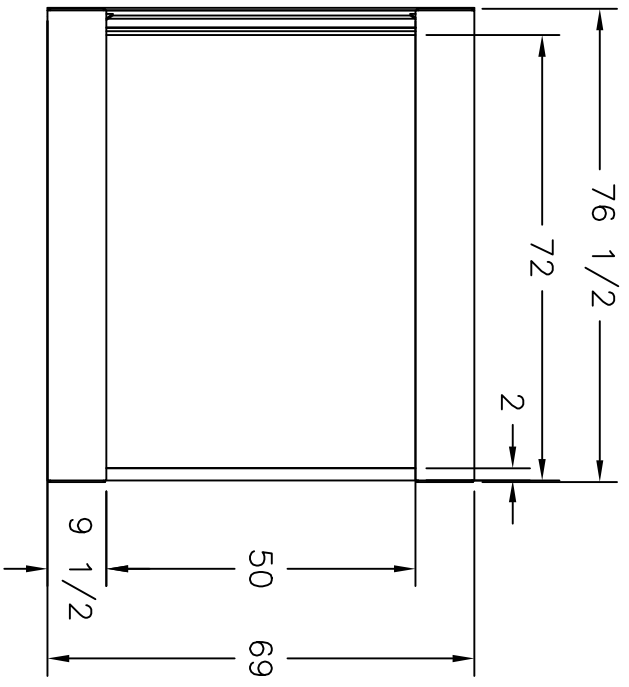


REV	DATE	ENG	DESCRIPTION
-----	------	-----	-------------



<i>Air Technical Industries</i>			
7501 CLOVER AVE. - MENTOR, OHIO			
TITLE ZLE-5072			
ZERO-LOW LIFT			
DWG. Type	LAYOUT	MATERIAL	
DRAWN	CWD	DATE	1/10/00
SCALE	N.T.S.	REVISION	-