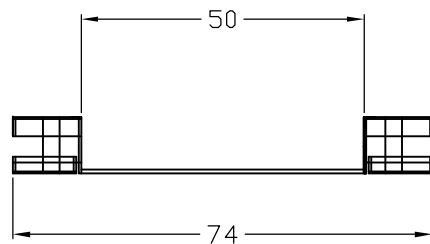
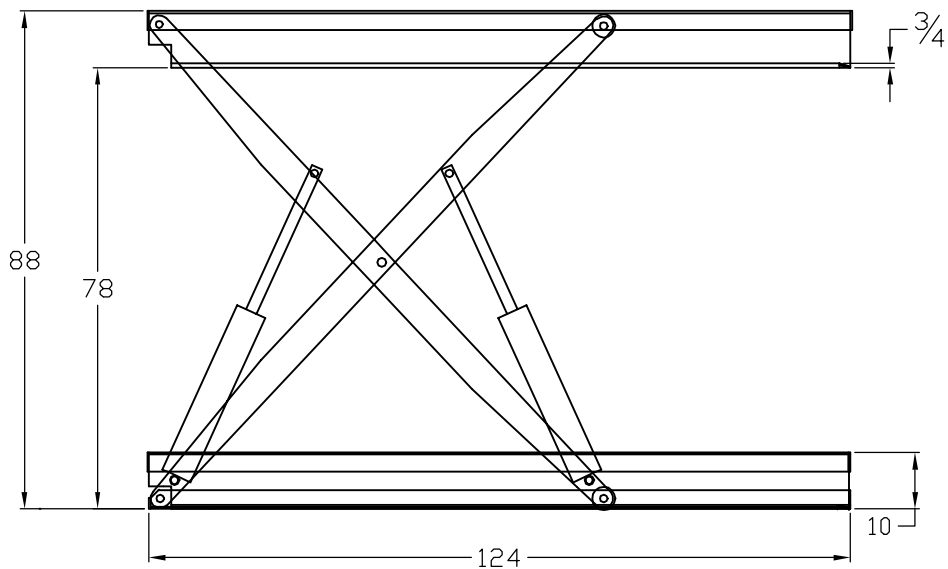
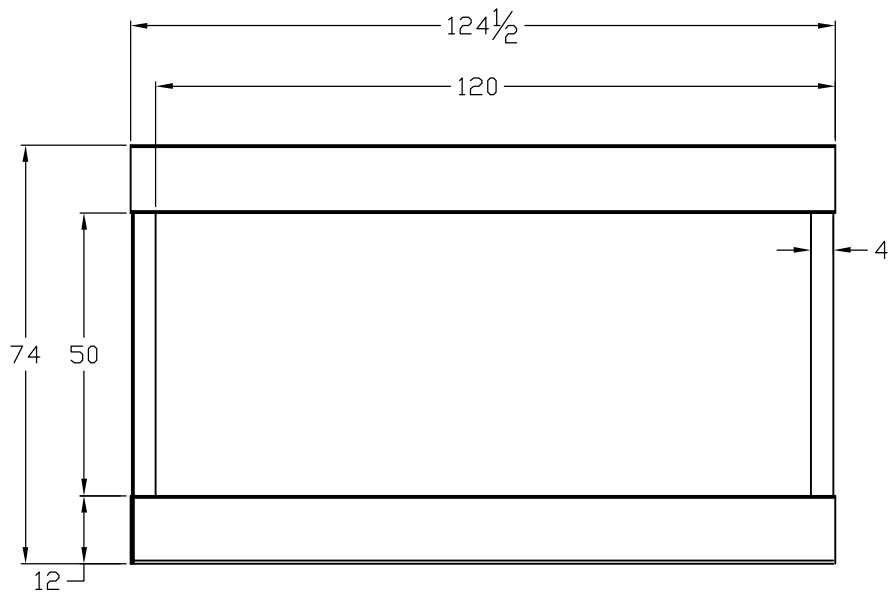


REV	DATE	ENG	DESCRIPTION
-----	------	-----	-------------



NOTES:  
 - CAPACITY: 4000#  
 - EXTERNAL POWERPACK REQUIRED  
 (NOT SHOWN)

***Air Technical Industries***  
 7501 CLOVER AVE. - MENTOR, OHIO

TITLE ZLH450120

ZERO-LOW HEAVY

DWG. Type LAYOUT

MATERIAL

DRAWN CP

DATE 04/23/19

SCALE N.T.S.

REVISION