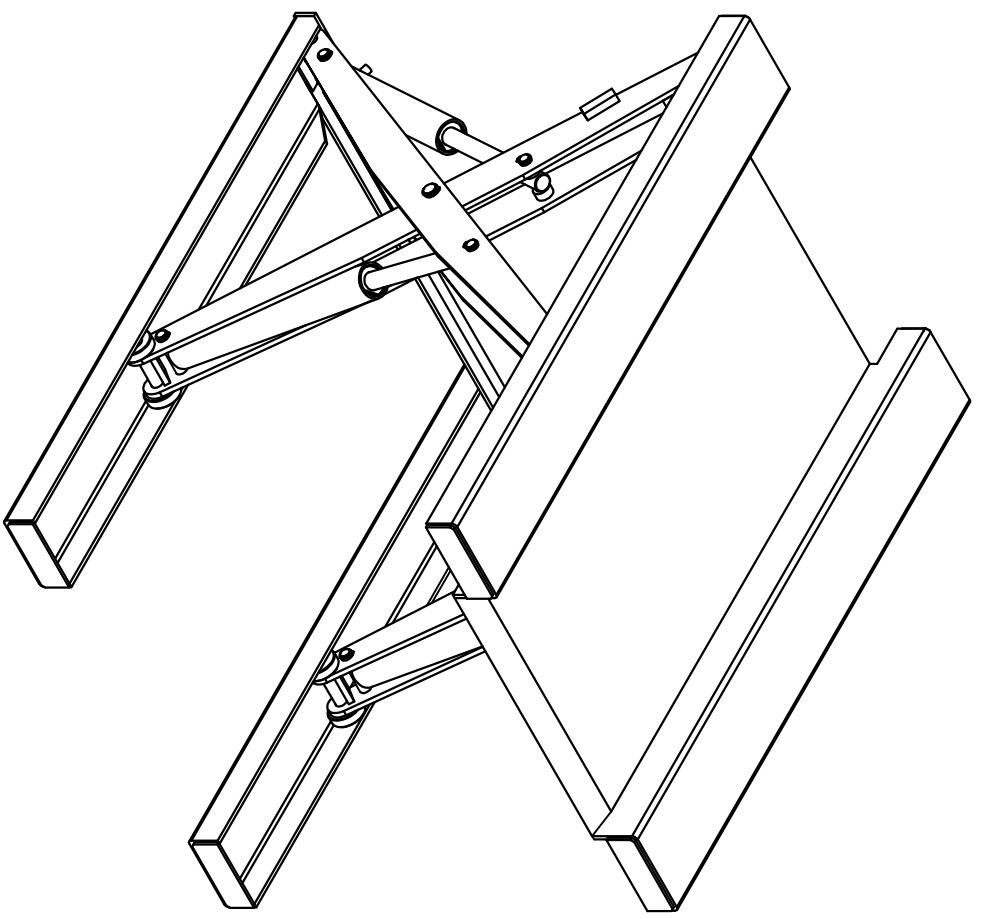


CAPACITY: 1000 POUNDS



<i>Air Technical Industries</i>			
7501 CLOVER AVE. - MENTOR, OHIO			
TITLE LOW-PROFILE ZERO-LOW LIFT TABLE			
PART No. ZLLPC-2648	MATERIAL		
DRAWN VN	DATE 11/22/2013	SCALE	N.T.S.
APPROVED			