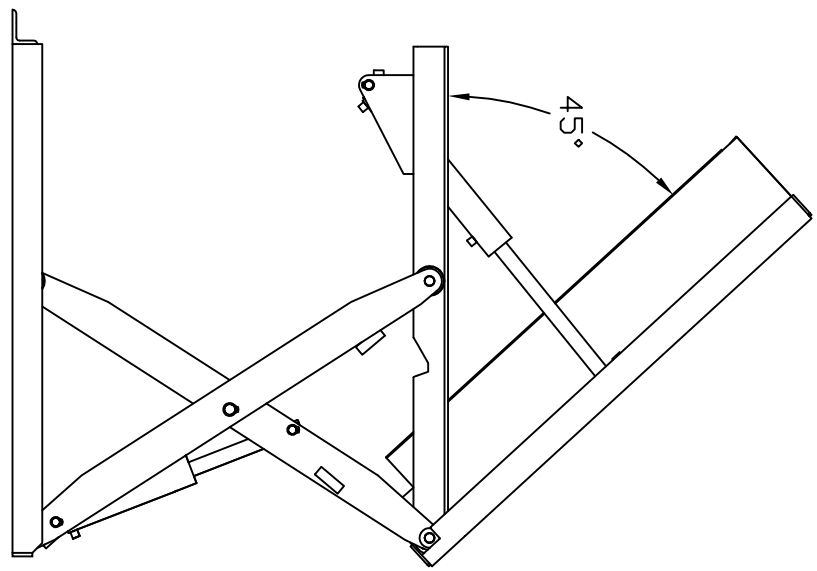
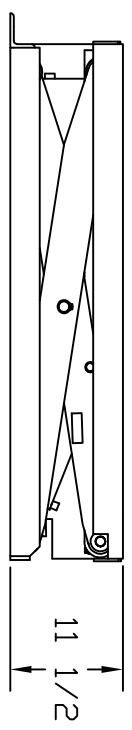
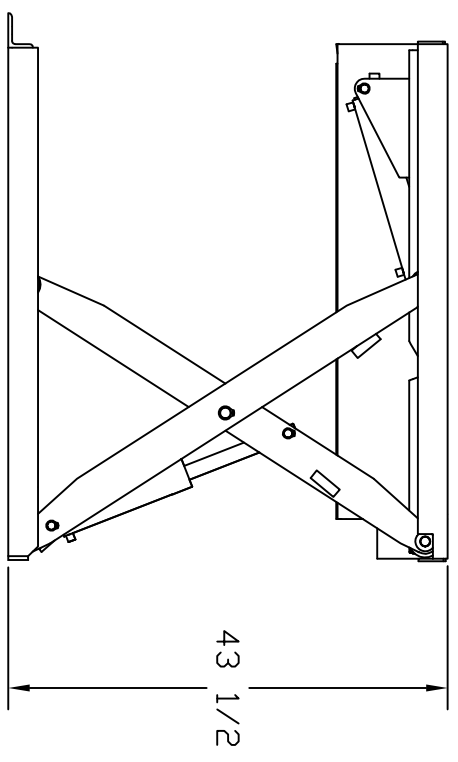
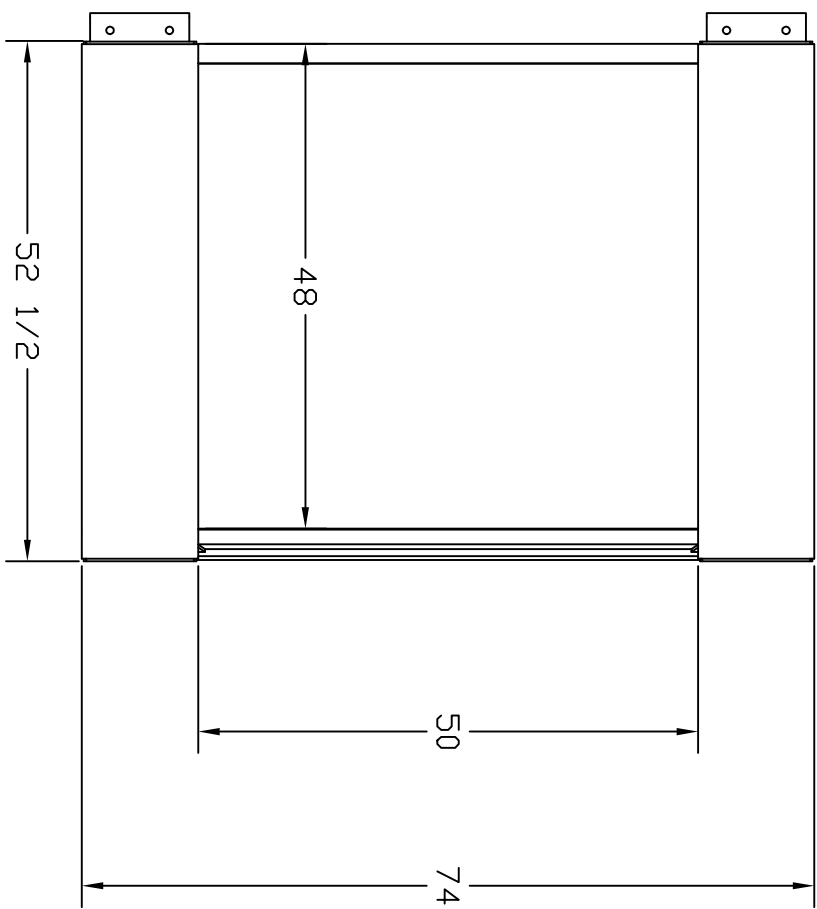


REV	DATE	ENG	DESCRIPTION
-----	------	-----	-------------



TITLE		ZLTTD5048	
DRAWN		CWD	DATE
DWC. Type		MATERIAL	2/3/00
Air Technical Industries 7501 CLOVER AVE. - MENTOR, OHIO			
SCALE	N.T.S.	REVISION	-