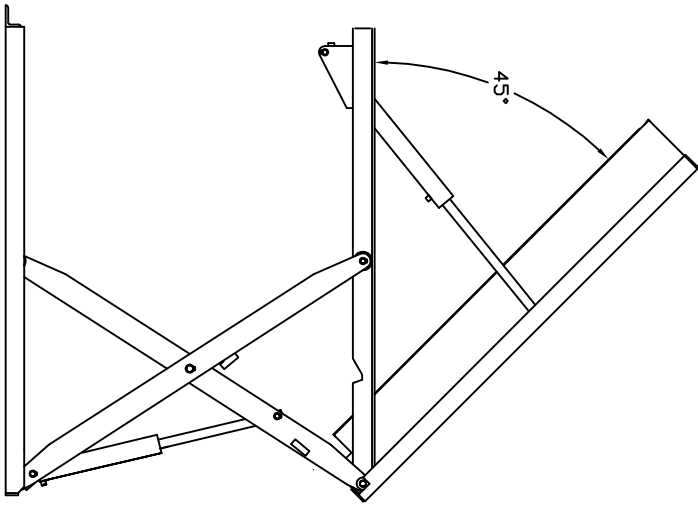
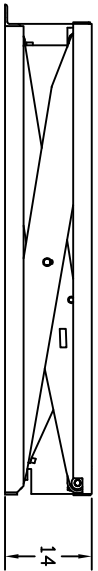
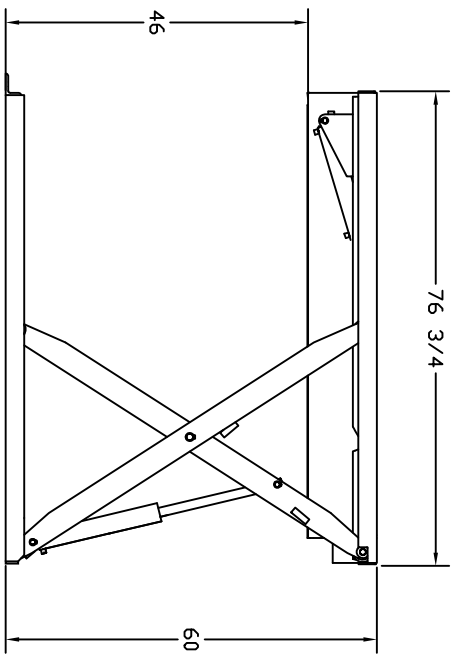
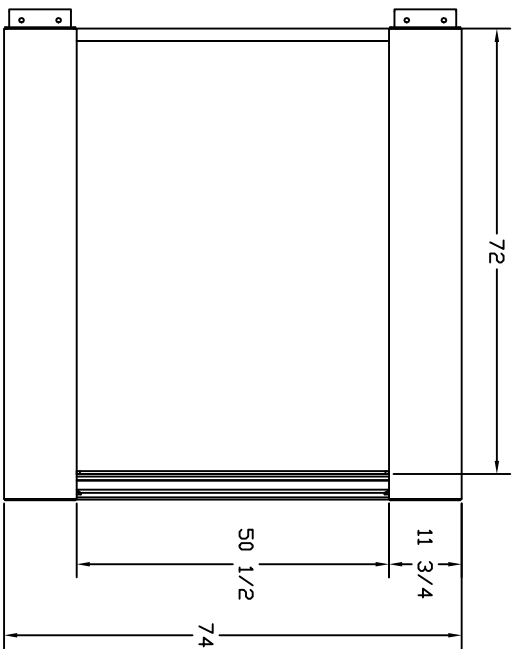


APPROVAL



REV	DATE	ENG	DESCRIPTION

<i>Air Technical Industries</i> 7501 CLOVER AVE. - MENTOR, OHIO			
TITLE ZLTTE-5072			
ZERO-LOW LIFT & TILT			
DRAWN CWD		DATE 6-7-99	
DWC. Type		MATERIAL	
SCALE N.T.S.		REVISION	