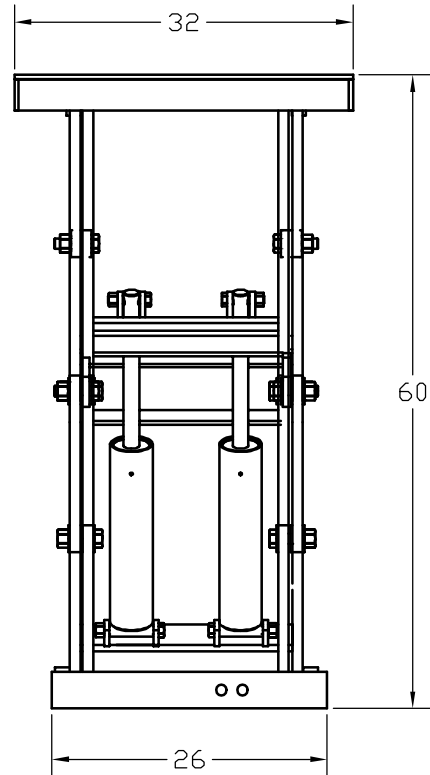
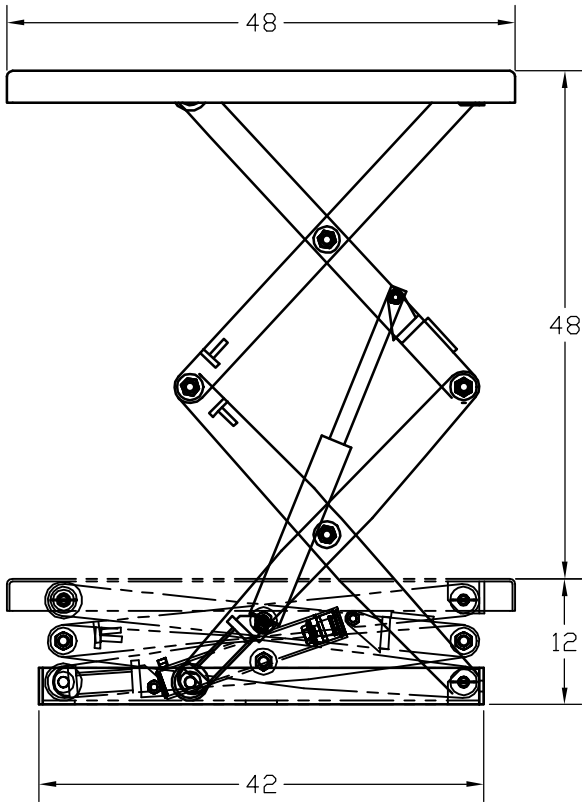
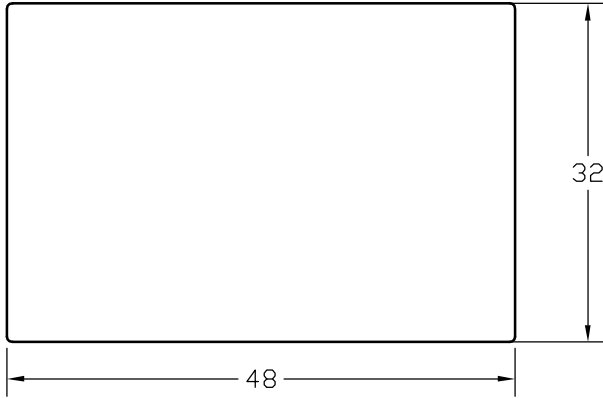


REV	DATE	ENG	DESCRIPTION
-----	------	-----	-------------



CAPACITY: 4000 POUNDS

***Air Technical Industries***

7501 CLOVER AVE. - MENTOR, OHIO

TITLE DOUBLE SCISSORS LIFT TABLE

DSL-43248

DWG. Type LAYOUT

MATERIAL

DRAWN VN

DATE 8/29/2013

SCALE N.T.S.

REVISION

-