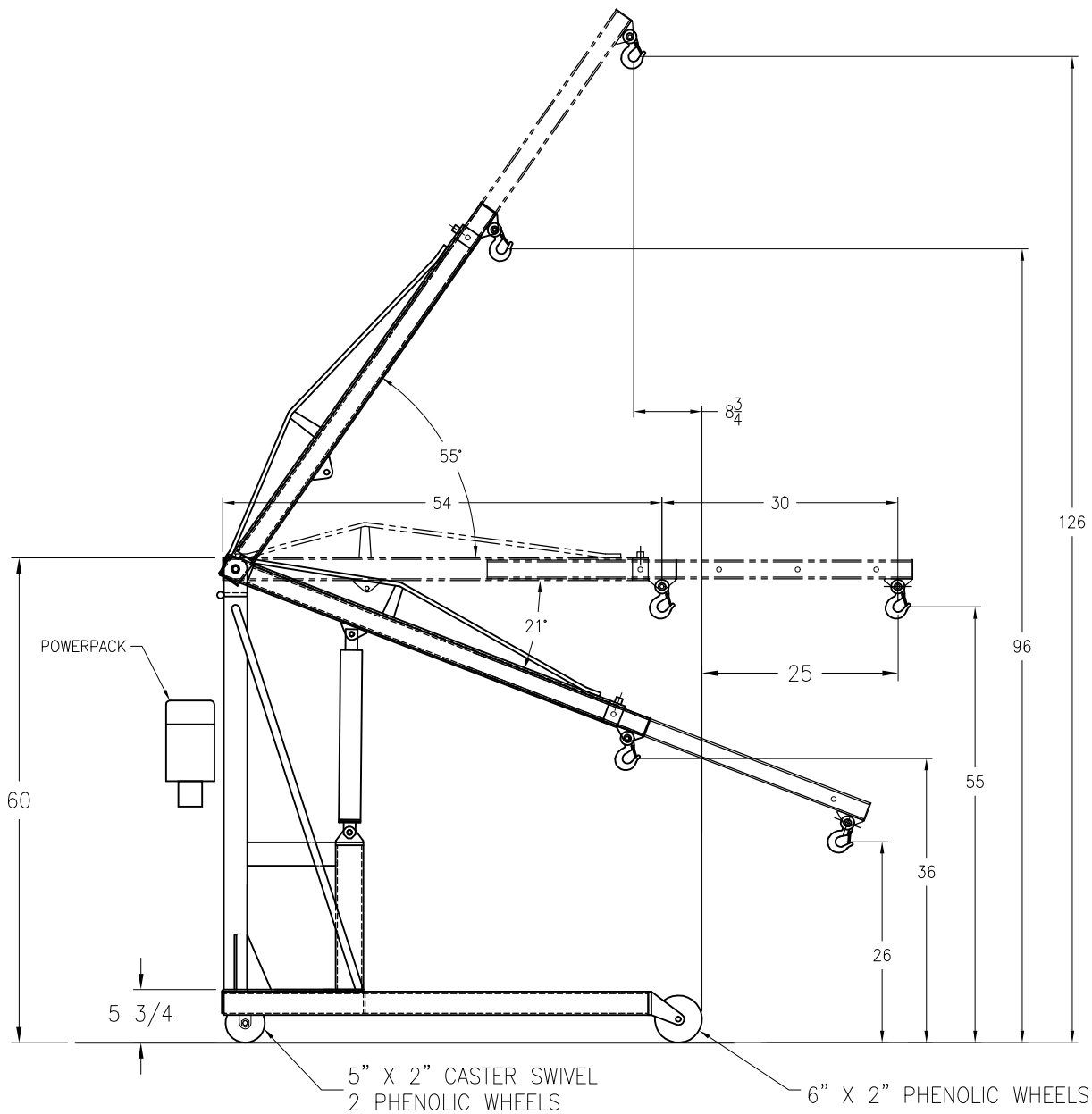
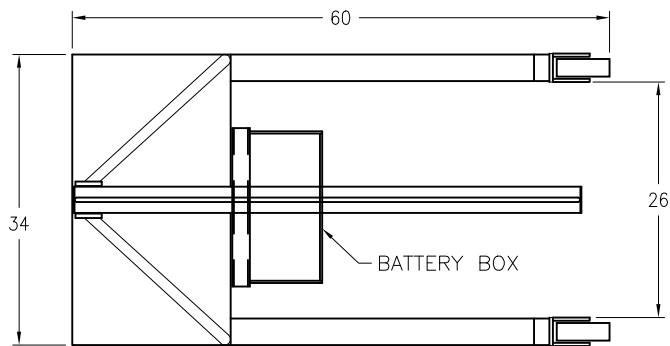


REV

DATE

ENG

DESCRIPTION



5" X 2" CASTER SWIVEL  
2 PHENOLIC WHEELS

6" X 2" PHENOLIC WHEELS

## NOTES:

- 2000# CAPACITY WITH BOOM RETRACTED
- 500# CAPACITY WITH BOOM EXTENDED  
(WITH APPROPRIATE COUNTERWEIGHT-NOT INCLUDED)
- 12V DC BATTERY OPERATED BOOM LIFT (SHOWN WITH  
OPTIONAL BATTERY AND BATTERY BOX)

*Air Technical Industries*

7501 CLOVER AVE. - MENTOR, OHIO

TITLE ECONO-MASTER FLOOR CRANE

EM-2000-PB2

DWG. Type LAYOUT

MATERIAL

DRAWN VN

DATE 10/15/2014

SCALE N.T.S.

REVISION

-