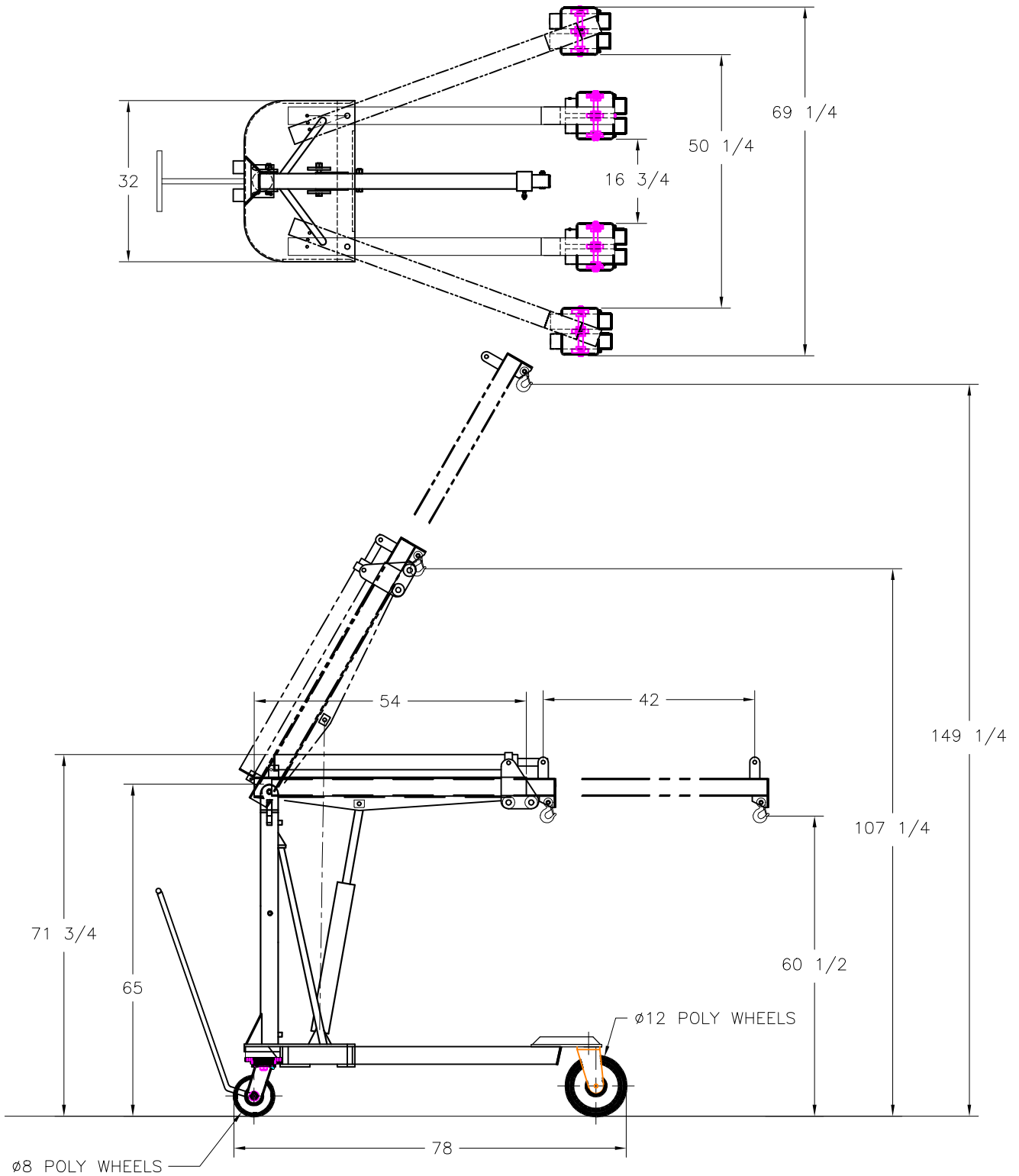


REV

DATE

ENG

DESCRIPTION



NOTES:

- 6000 LBS. CAPACITY, 3000 LBS. EXTENDED WITH APPROPRIATE COUNTERWEIGHT
- UNIT SHOWN WITH TELESCOPIC BOOM OPTION

Air Technical Industries

7501 CLOVER AVE. - MENTOR, OHIO

TITLE HUSKY-MASTER FLOOR CRANE

HM-6000A-S12-TB6

DWG. Type LAYOUT

MATERIAL

DRAWN RHC

DATE 08/28/14

SCALE N.T.S.

REVISION -