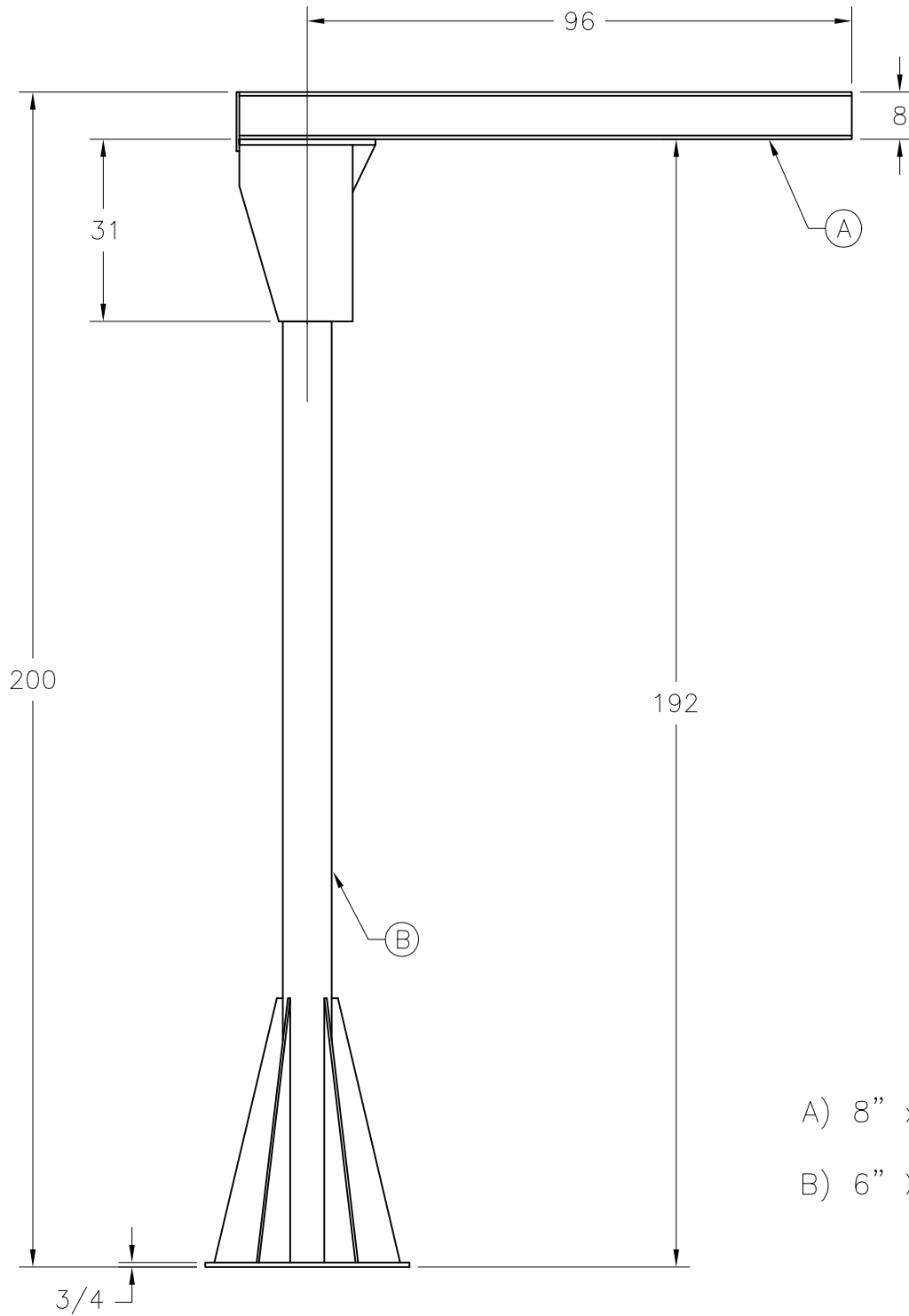


REV

DATE

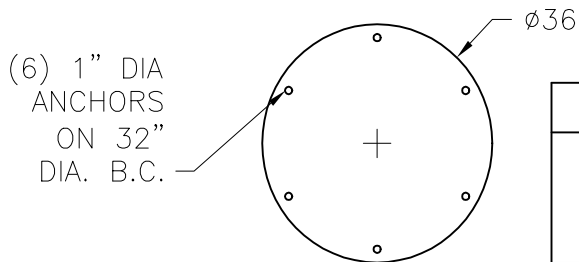
ENG

DESCRIPTION



A) 8" x 18.4# S-BEAM

B) 6" XXH PIPE



(6) 1" DIA ANCHORS ON 32" DIA. B.C.

Air Technical Industries

7501 CLOVER AVE. - MENTOR, OHIO

TITLE FLOOR MOUNTED JIB CRANE

JC-1816

DWG. Type LAYOUT

MATERIAL

DRAWN VN

DATE 3/26/2009

SCALE N.T.S.

REVISION -