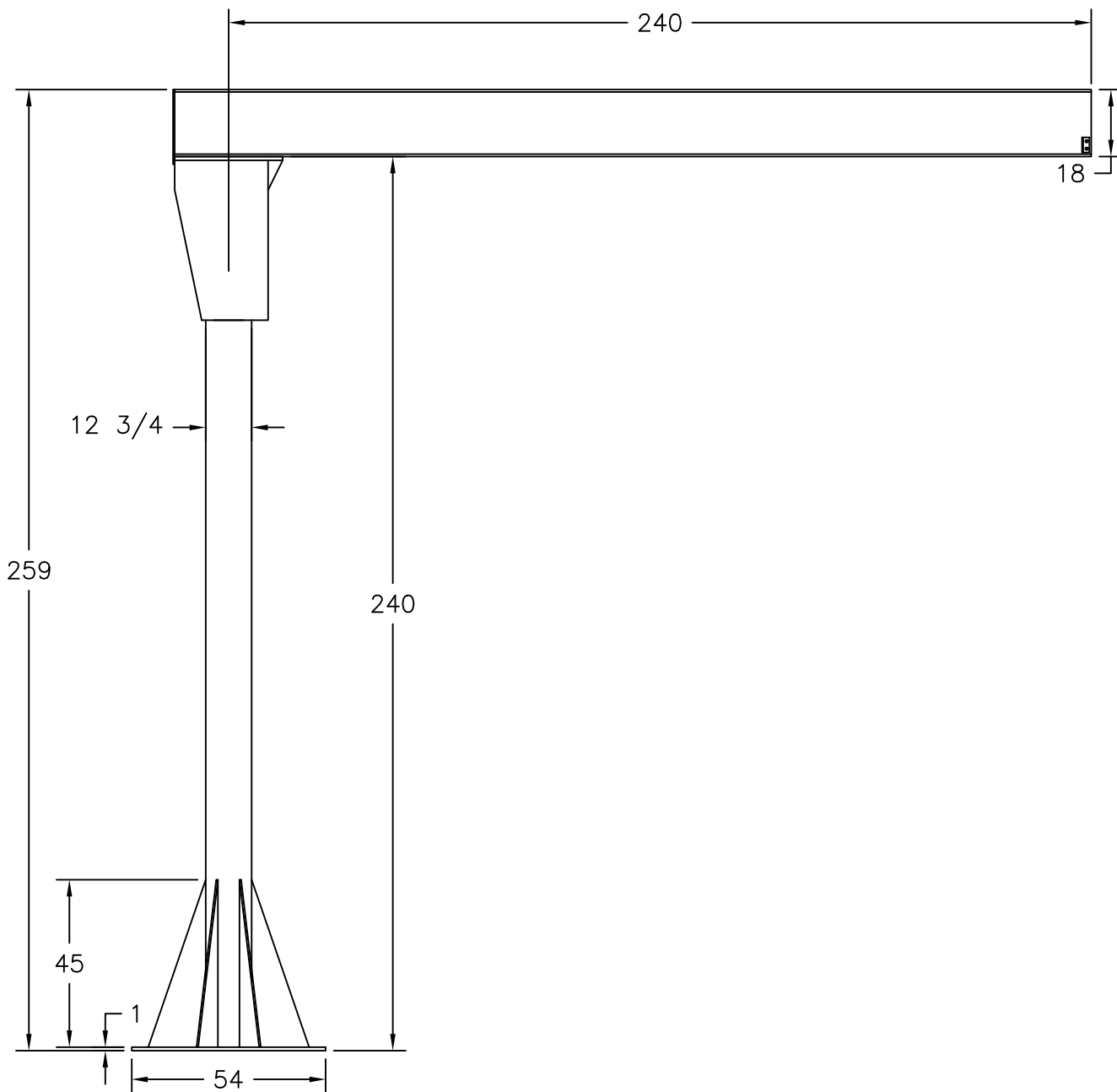


REV

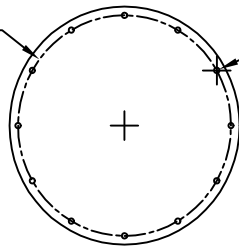
DATE

ENG

DESCRIPTION



ø50 B.C.



(12) MOUNTNG HOLES FOR ø1 1/4 DIA ANCHORS

*Air Technical Industries*

7501 CLOVER AVE. - MENTOR, OHIO

TITLE

JC-42020

DWG. Type LAYOUT

MATERIAL

DRAWN VN

DATE 3/4/2010

SCALE N.T.S.

REVISION -