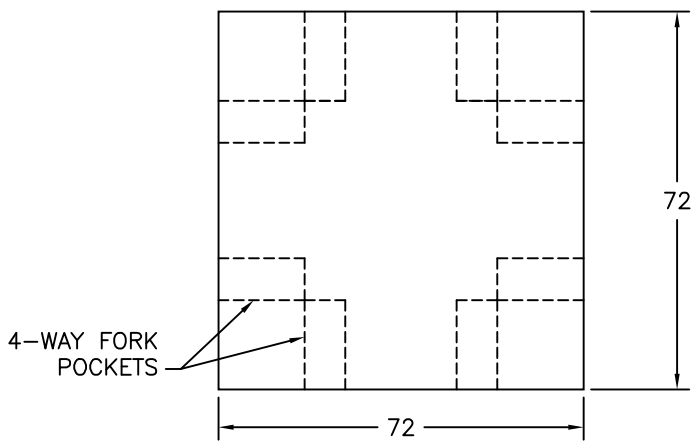
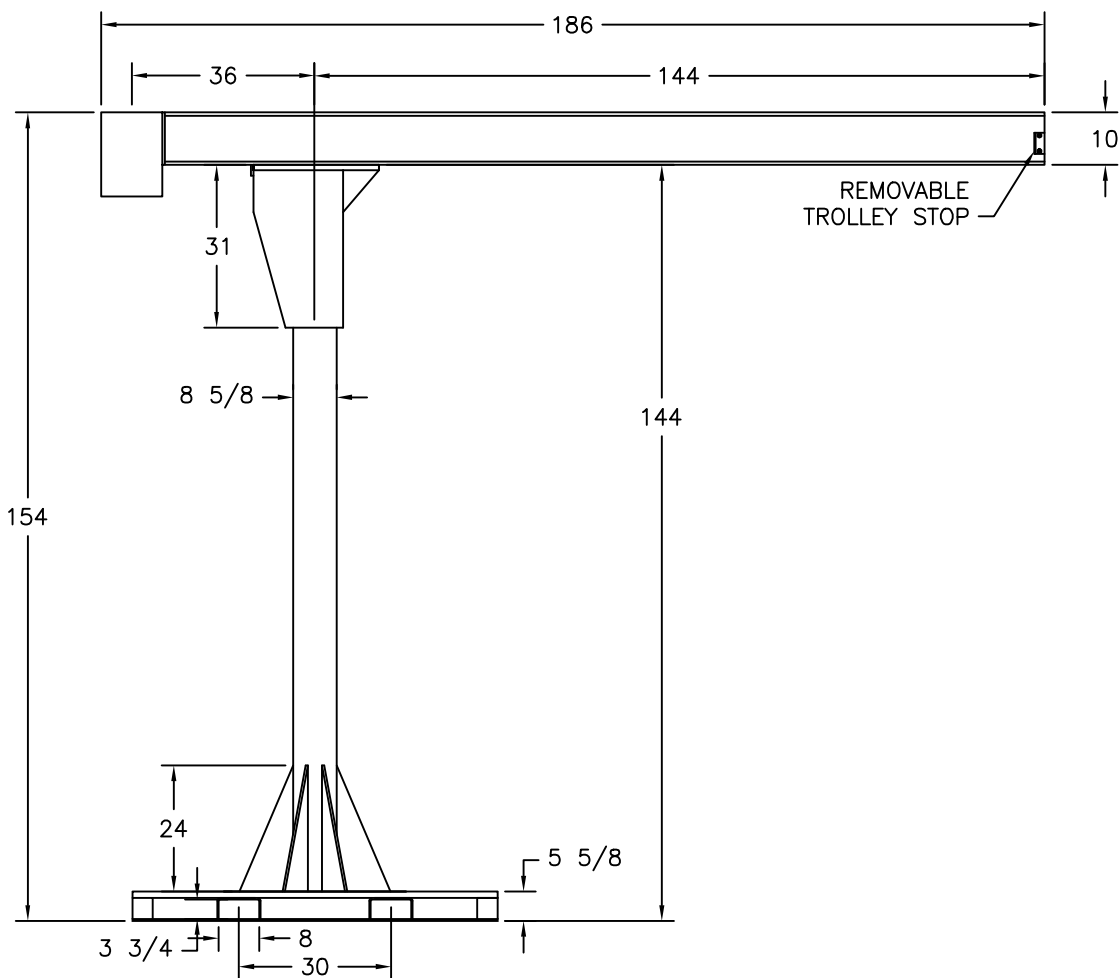


REV

DATE

ENG

DESCRIPTION



NOTES:
 - CAPACITY: 1000 POUNDS
 (LESS TROLLEY & HOIST)
 - 125% SAFETY FACTOR
 FOR STABILITY

Air Technical Industries

7501 CLOVER AVE. - MENTOR, OHIO

TITLE PORTABLE JIB CRANE

JCPRT-11212

DWG. Type LAYOUT

MATERIAL

DRAWN VN

DATE 3/19/2014

SCALE N.T.S.

REVISION -