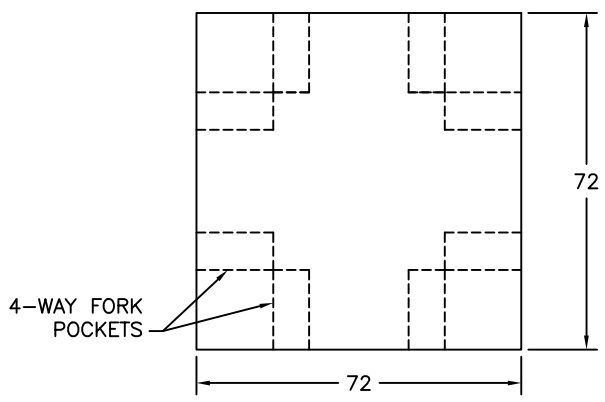
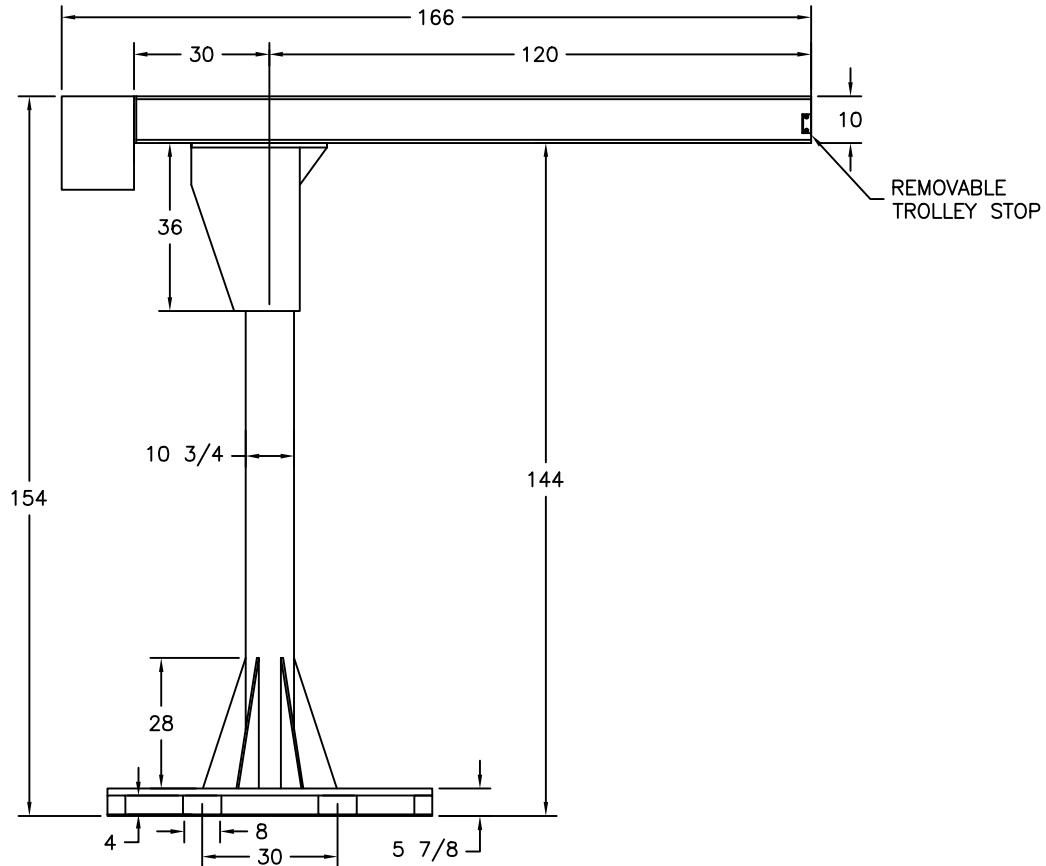


REV	DATE	ENG	DESCRIPTION
-----	------	-----	-------------



NOTES:
 - CAPACITY: 2000 POUNDS
 (LESS TROLLEY & HOIST)
 - 125% SAFETY FACTOR
 FOR STABILITY

<i>Air Technical Industries</i>	
7501 CLOVER AVE. - MENTOR, OHIO	
TITLE	PORTABLE JIB CRANE
JCPRT-21012	
DWG. Type	LAYOUT
MATERIAL	