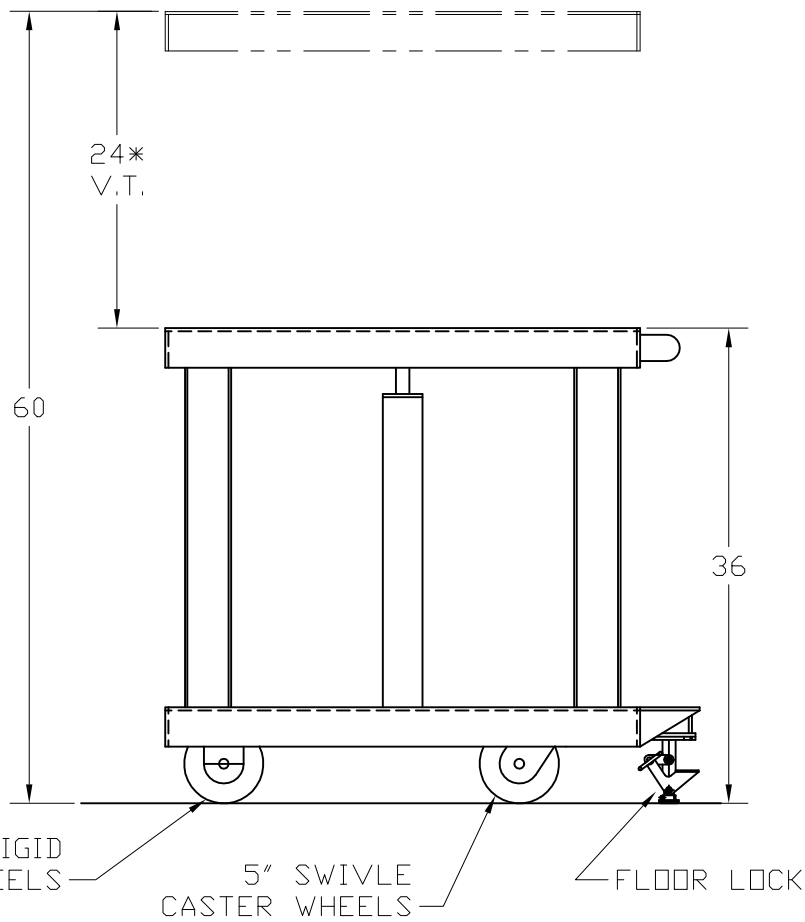
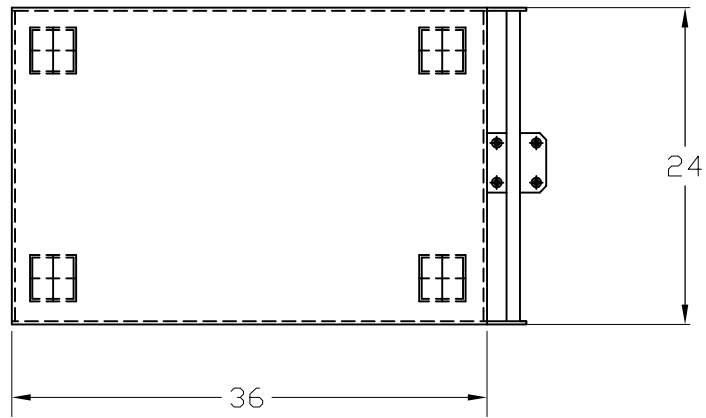


REV

DATE

ENG

DESCRIPTION



6" RIGID WHEELS

5" SWIVLE CASTER WHEELS

FLOOR LOCK

* 24" TRAVEL FOR POWERED UNITS ONLY. MANUAL PUMP UNITS HAVE 20" OF VERTICAL TRAVEL

Air Technical Industries
7501 CLOVER AVE. - MENTOR, OHIO

TITLE

LT-2000

DWG. Type LAYOUT

MATERIAL

DRAWN VN

DATE 5/22/2008

SCALE N.T.S.

REVISION -