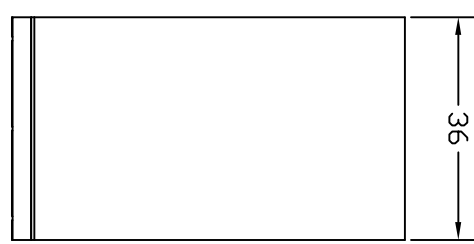
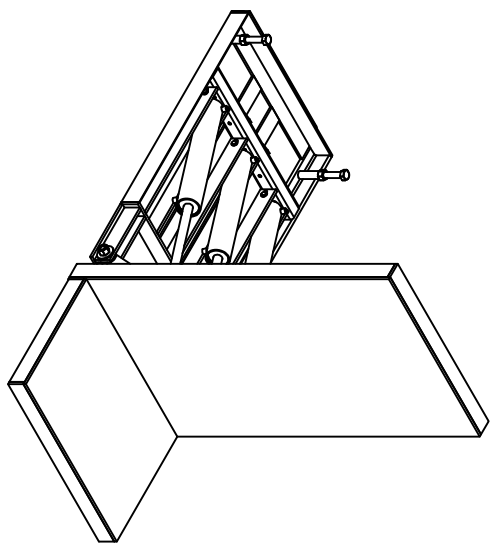
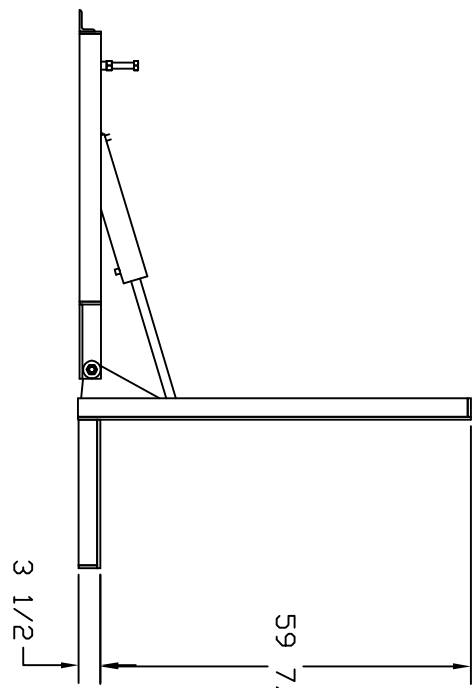
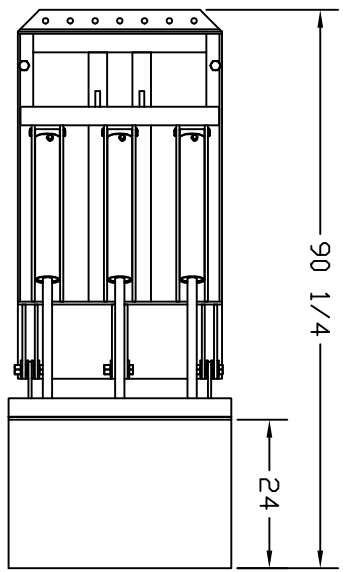


REV	DATE	ENG	DESCRIPTION
-----	------	-----	-------------



<p><i>Air Technical Industries</i> 7501 CLOVER AVE. – MENTOR, OHIO</p>			
TITLE SCP6000			
CRATE POSITIONER			
DWG. Type	LAYOUT	MATERIAL	
DRAWN	CWD	DATE	1/26/00
SCALE	N.T.S.	REVISION	—