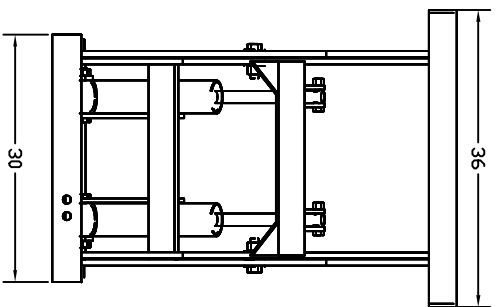
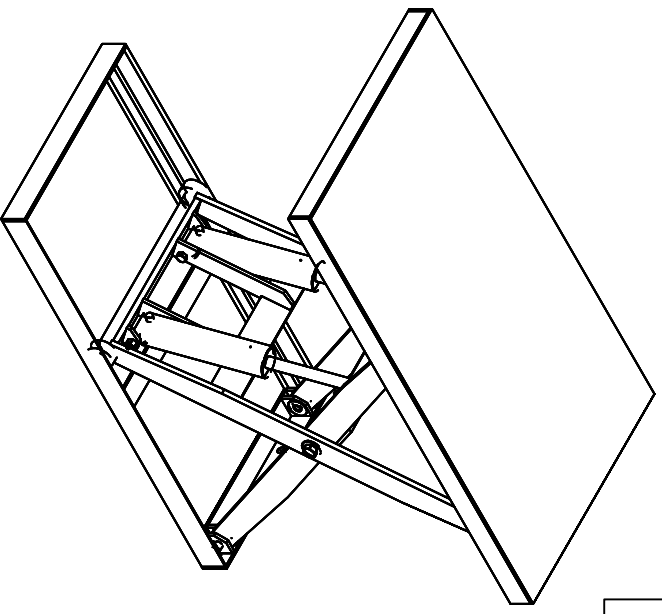
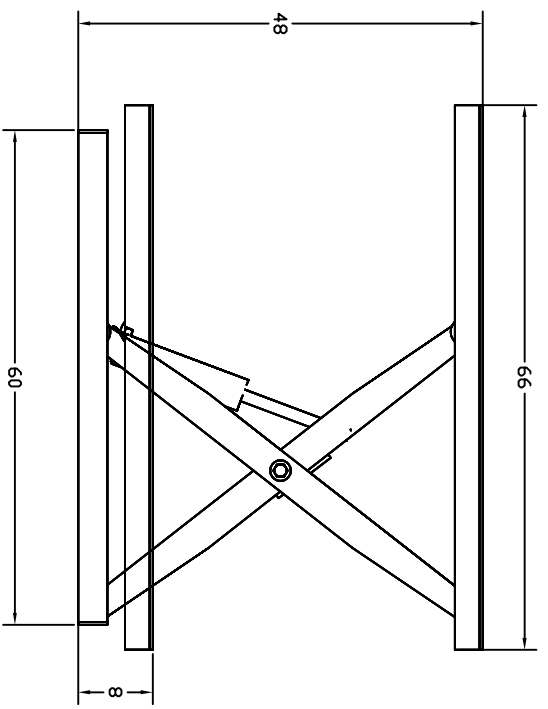
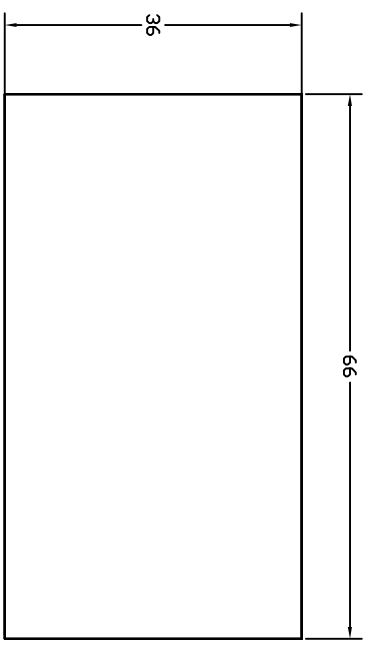


REV	DATE	ENG	DESCRIPTION
-----	------	-----	-------------



<i>Air Technical Industries</i>			
7501 CLOVER AVE. – MENTOR, OHIO			
TITLE			
SLI-43666			
SCISSOR LIFT TABLE			
DWG. Type		MATERIAL	
DRAWN		DATE	
CWD	2/26/01	SCALE	
		N.T.S.	REVISION
			—