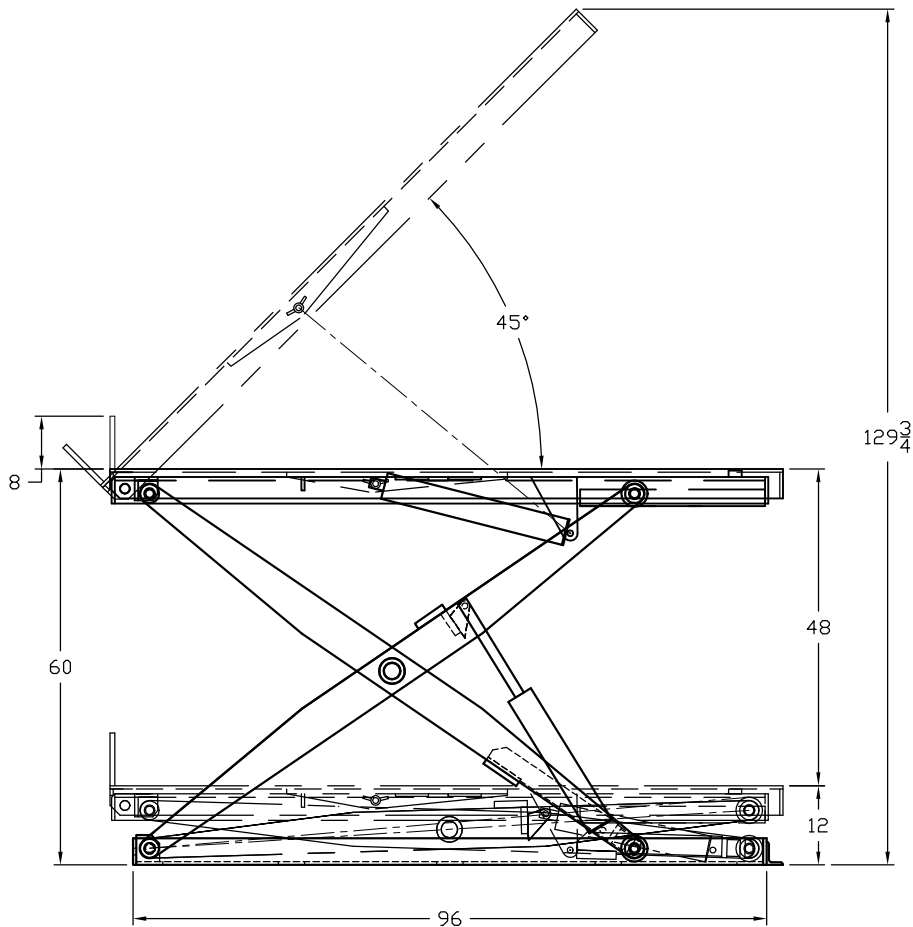
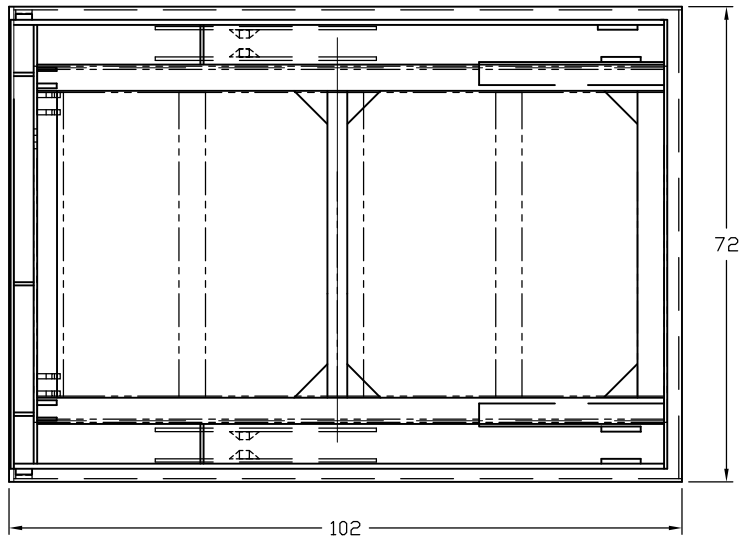


REV

DATE

ENG

DESCRIPTION



NOTES:

- CAPACITY: 6000 LBS
- UNIT MUST BE BOLTED TO FLOOR BEFORE USE

Air Technical Industries

7501 CLOVER AVE. - MENTOR, OHIO

TITLE LIFT & TILT TABLE

SLTT-6B72

DWG. Type LAYOUT

MATERIAL

DRAWN VN

DATE 7/7/2014

SCALE N.T.S.

REVISION -