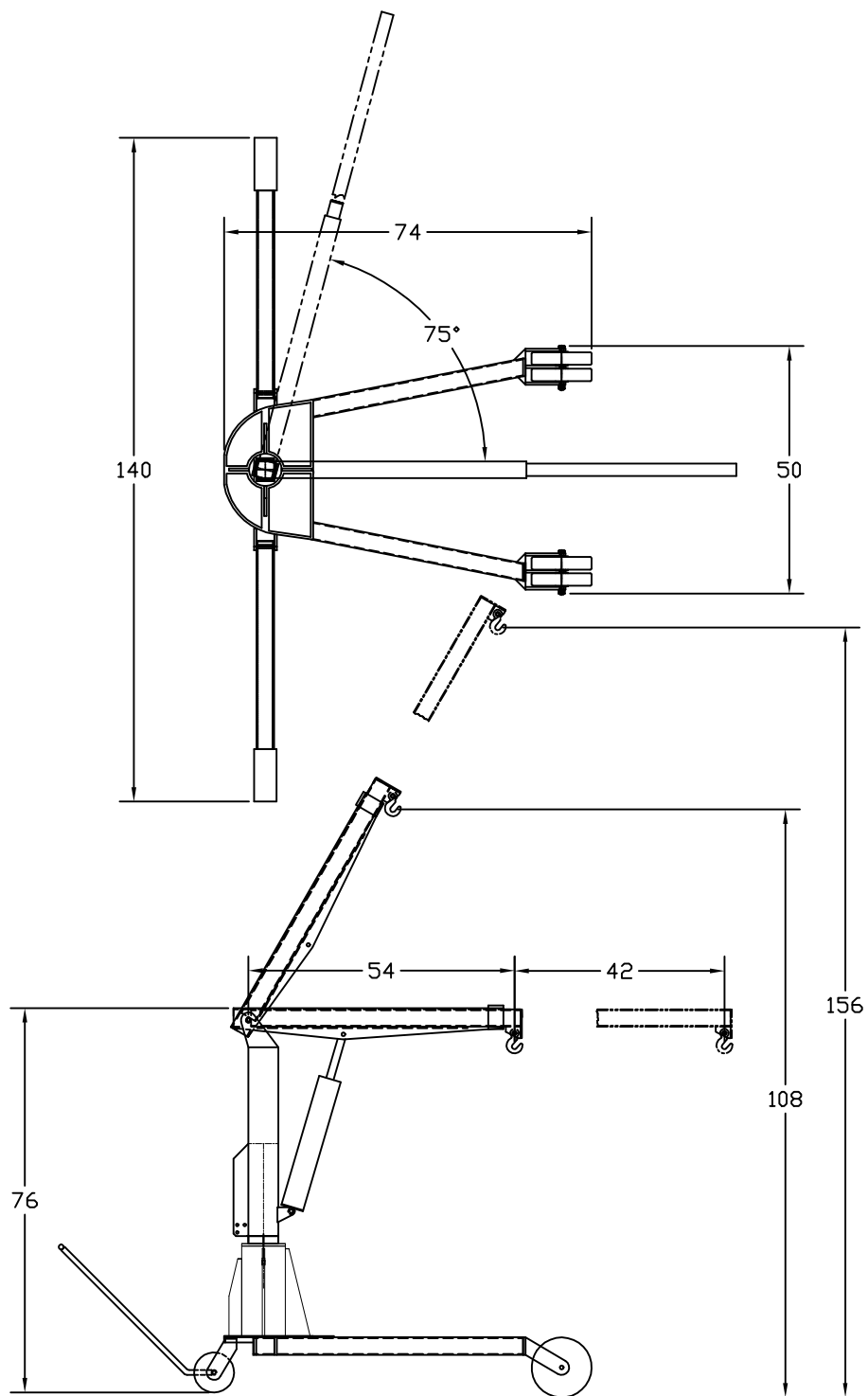


REV

DATE

ENG

DESCRIPTION



*Air Technical Industries*

7501 CLOVER AVE. — MENTOR, OHIO

TITLE

SM-6000

DWG. Type

MATERIAL

DRAWN

VN

DATE

1/26/2005

SCALE

N.T.S.

REVISION

—