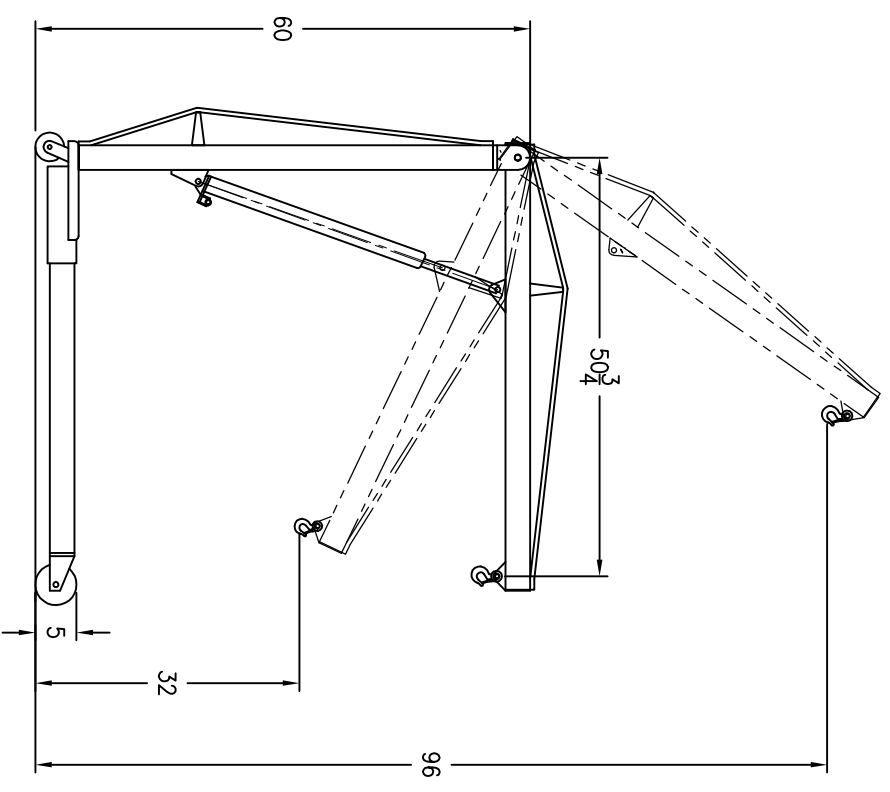
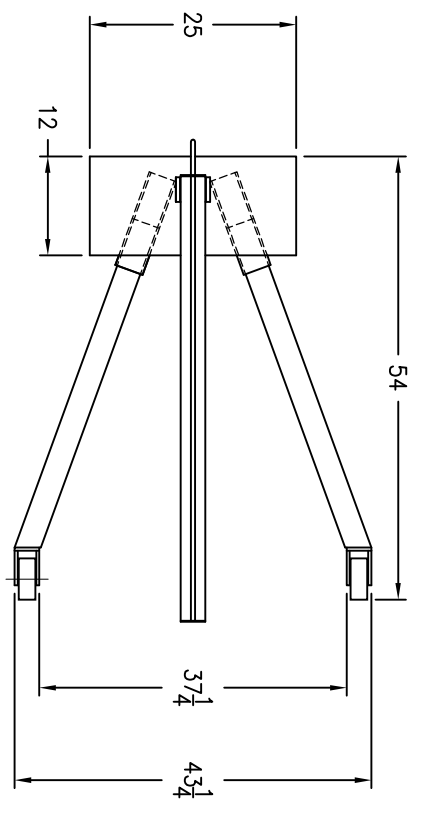


REV	DATE	ENG	DESCRIPTION
-----	------	-----	-------------



CAPACITY: 1000 POUNDS

*Air Technical Industries*  
 7501 CLOVER AVE. - MENTOR, OHIO

TITLE  
 V-MASTER

VM-1000

DWG. Type  
 LAYOUT

MATERIAL

DRAWN  
 IL

DATE  
 7/30/02

SCALE  
 N.T.S.

REVISION

—