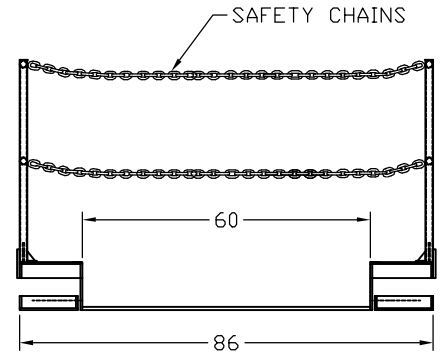
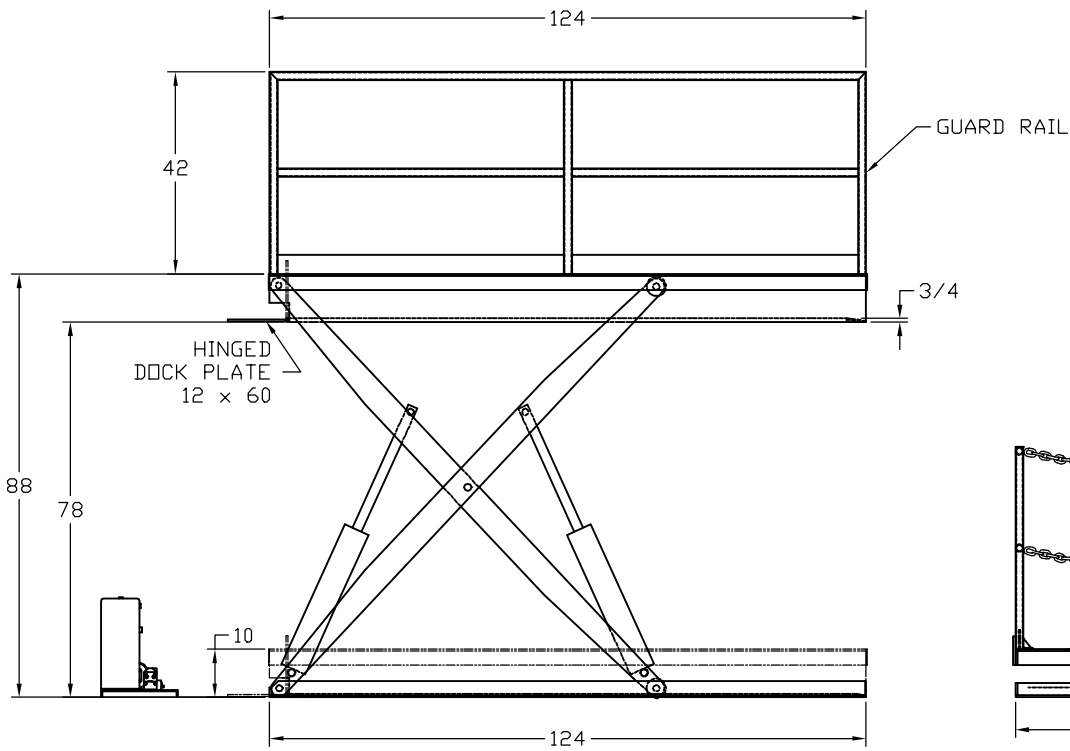
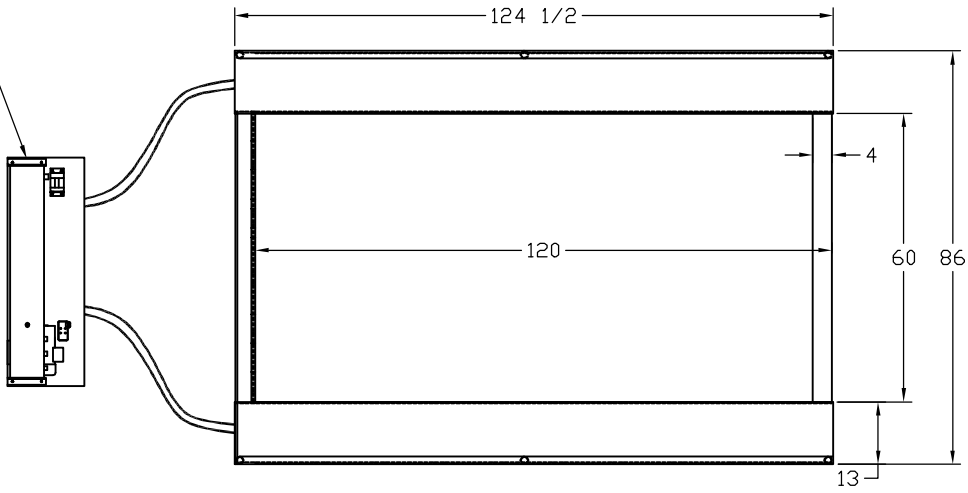


REV	DATE	ENG	DESCRIPTION
-----	------	-----	-------------

POWERPACK



NOTES:
- CAPACITY: 6000 POUNDS

Air Technical Industries
7501 CLOVER AVE. - MENTOR, OHIO

TITLE ZERO-LOW DOCK LIFT
ZDK-660120

DWG. Type LAYOUT MATERIAL

DRAWN IL DATE 8/05/04 SCALE N.T.S. REVISION

REV: 12-3-20 VN