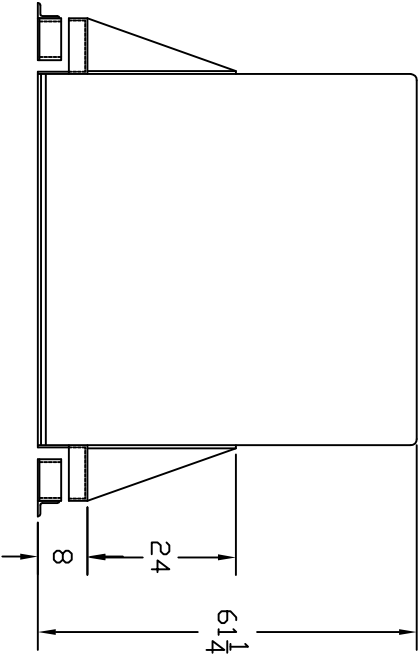
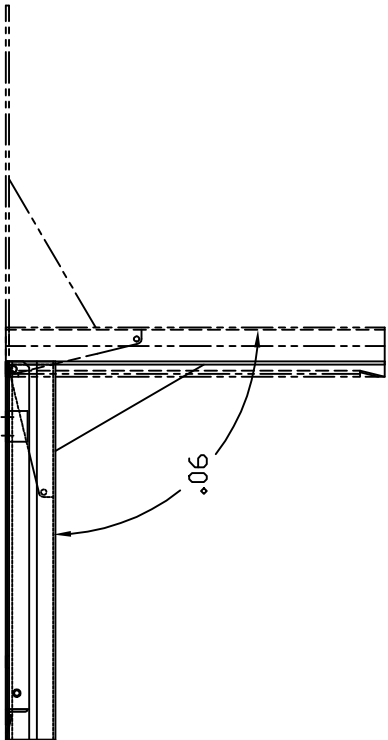
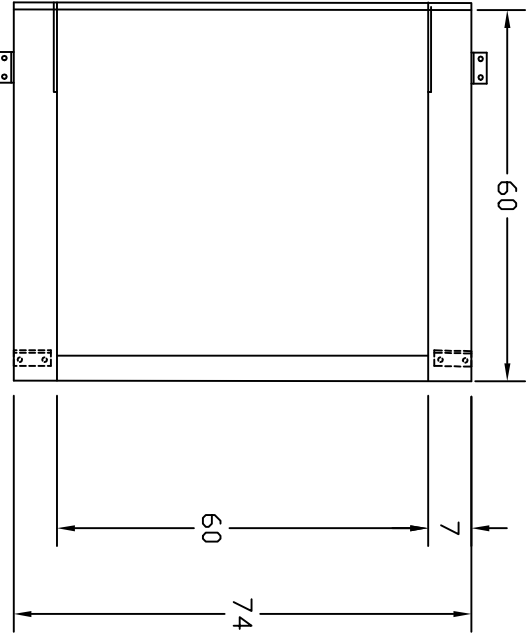


APPROVAL



Approved By: \_\_\_\_\_  
Date: \_\_\_\_\_

REV	DATE	ENG	DESCRIPTION
-----	------	-----	-------------

<b>Air Technical Industries</b> 7501 CLOVER AVE. – MENTOR, OHIO			
TITLE ZLZTE6060			
ZERO LOW UPENDER			
DWG. Type	APPROVAL	MATERIAL	
DRAWN	CWD	DATE	2/24/00
SCALE	N.T.S.	REVISION	—